



CARLO GAVAZZI

Certus Multifunction safety module

Instruction manual

Manuale d'istruzione

Betriebsanleitung

Manuel d'instructions

Manual de instrucciones

Brugervejledning

使用手册

Table of contents

| | |
|--|-----------|
| 1. Introduction | 5 |
| 2. Safety | 6 |
| 2.1 Functional safety | 6 |
| 2.2 Assistant system software | 6 |
| 3. Features | 7 |
| 4. Function block diagram | 8 |
| 5. Function description | 8 |
| 6. Devices | 9 |
| 6.1 Device | 9 |
| 6.2 Device with HEX-switch | 9 |
| 6.3 Device without HEX-switch | 9 |
| 7. Terminal layout | 10 |
| 8. Installation and environmental conditions | 10 |
| 9. Wiring | 11 |
| 9.1 Power supply | 11 |
| 9.2 Wiring advice | 11 |
| 10. Function description | 12 |
| 10.1 Normally open (NO) outputs | 12 |
| 10.2 Normally closed (NC) outputs..... | 12 |
| 10.3 Delayed NO outputs..... | 12 |
| 11. Available output configuration (CM22D0A only) | 13 |
| 11.1 Changing the output configuration via HEX-Switch..... | 13 |
| 11.2 Output configuration..... | 14 |
| 12. Operation configuration | 15 |
| 12.1 Recognizing the operational configuration | 15 |
| 12.1.1 E-STOP / E-GATE 4 wire | 16 |
| 12.1.2 E-STOP / E-GATE 3 wire | 17 |
| 12.1.3 E-STOP / E-GATE 2 wire | 18 |
| 12.1.4 ESPD / (Type 4 / Type 2) two channels | 19 |
| 12.1.5 Testable ESPD (Type 2 / Type 4) | 20 |
| 12.1.6 Safety mat..... | 21 |
| 13. Start behaviour | 22 |
| 13.1 Manual start | 22 |
| 13.2 Automatic start..... | 22 |
| 14. Operation | 23 |
| 14.1 Status indicator | 23 |
| 14.2 Blink code | 24 |
| 14.3 Error code | 24 |
| 15. Technical data | 25 |
| 16. Dimensions | 26 |
| 17. Inspection and maintenance | 27 |

CERTUS - Instruction manual

Multifunction safety module


Ownership


Copyright © 2023, CARLO GAVAZZI Automation SpA All rights reserved in all countries. CARLO GAVAZZI Automation SpA reserves the right to modify or make improvements to this document without advance notice.

Safety messages


The following symbols are used in this document to indicate warning concerning the user and/or the safety device:

 **Danger!** a potentially risky situation which could lead to death or serious physical injury.

 **Warning:** indicates actions that if not observed may lead to damage to the device.

 **Attention:** Only CARLO GAVAZZI technical service personnel are authorized to open the safety device.

General information

 **Information:** This manual should be consulted for all situations related to installation and use. It must be kept in good condition and in a clean location accessible to all operators.

Service and warranty

In the event of malfunction or requests for information please contact the CARLO GAVAZZI branch or distributor in your country.

1. Introduction

CERTUS

Description

Certus offers a range of safety modules, compliant with international standards, designed to provide the most comprehensive protection for equipment and personnel. They enable safety functions, accepting different types of input using the same product. This means cost saving and fewer product codes to manage.

All rights to this document are reserved by Carlo Gavazzi Automation S.p.A. Copies may be made for internal use only.

Please do not hesitate to make any suggestions for improving this document.

Validity of documentation

This documentation is valid only for Certus Family products and until new documentation is published. This instruction manual describes the function, operation and installation of the product. It is the user responsibility to decide if the safety module is correctly suited to the application

How to use the documentation

This user manual must be read and completely understood by personnel dealing with all the uses of the safety modules prior to carrying out any operation involving the module.

Please keep this document for future reference.

All the operations described in this manual must be carried out exclusively by specialized personnel, carefully following all the instructions given.

Use of the product

These safety modules are able to monitor multiple safety functions of industrial machinery, protecting operators from dangerous moving parts of the machine.

The CERTUS modules provide a safety-related interruption of a safety circuit.

The safety modules are compliant with the requirements of EN ISO 13849-1, EN 61508, EN 62061 and may be used in applications with:

Device

| | | CM22D0A / CM40D0A / CM30D1A |
|---|---|-----------------------------|
| 1 | E-stop | • |
| 2 | E-gate | • |
| 3 | Limit switch | • |
| 4 | Non-contact switch | • |
| 5 | Safety light curtains (ESPE Type 4, Type 2) | • |
| 6 | Safety light beam (single beam) | • |
| 7 | Safety mat | • |

2. Safety

2.1. Functional safety

The EC machinery directive stipulates that machinery should not pose a danger (risk assessment in accordance with EN ISO 12100). Given that there is no such thing as zero risk in technology, the aim is to achieve an acceptably low level of risk. If safety is dependent on control systems, these must be designed so that the probability of functional faults is sufficiently low.

To meet this requirement, it makes sense to use harmonized standards like EN ISO 13849-1 and/or EN 62061.

Before using a Certus multifunction module it is necessary to perform a safety assessment in accordance with the Machinery Directive.

Functional safety is guaranteed for the product as a single component. However, this does not guarantee the functional safety of the overall system. In order to achieve the required safety level for the overall system, the safety requirements for the plant/machine must be defined, and then how these requirements must be implemented from a technical standpoint.

Certus modules are built to the following safety levels: SIL 3, SIL_{CL} 3, PL e, Cat. 4, in accordance with the applicable standards. However, the definitive SIL and PL of the application will depend on the number of safety components, their parameters and the connections that are made, as per the risk analysis.

An in-depth risk analysis must be performed to determine the appropriate safety level for each specific application, on the basis of all the applicable standards.

Installation/configuration of the Certus module is the sole responsibility of the installer or the user.

The device must be installed/configured in accordance with the specific risk analysis of the application and all the applicable standards.

Carlo Gavazzi is not responsible for these operations or for any risks in connection with them. Reference should be made to the manual and to the relative product and/or application standards to ensure correct use of any devices connected to the Certus module within the specific application.

The ambient temperature where the system is installed must be compatible with the operating temperature parameters stated on the product label and in the specifications.

For all matters concerning safety, if necessary contact your country's official safety authority or trade association.

2.2 Assistant system Software

<http://www.dguv.de/webcode/e34183>



3. Features

Certus offers a range of safety modules, compliant with international standards, designed to provide the most comprehensive protection for equipment and personnel. They enable safety functions, accepting different types of input. This means cost saving and fewer product codes.

| Features | Description |
|---|---|
| 4 OSSD safety outputs | Certus provides up to 4 Output Signal Switching Devices. The correct opening and closing of the safety function OSSDs is tested automatically |
| Selectable delay time | Can be easily set via the hex-switch, selected from a choice of 15 pre-defined configurations, from 0 to 30 sec. The main model CM22D0A can include 2 delayed digital outputs |
| 4 LEDs on the front panel | This indicate the status and any possible errors during operation |
| Manual or automatic start selectable | |

Certus modules can be connected using different types of input: E-stop, E-gate, limit switch, non-contact switch, safety light curtains (ESPE Type 4, Type2), safety light beam (single beam), safety mat.



Information:

See **Paragraph 6** (Devices) for types of unit

Safety parameters

| | |
|---|---------------------|
| ISO 13849-1 Cat. | Cat. 4 |
| ISO 13849-1 Performance Level | PL e |
| IEC 61508 Safety Integrity Level | SIL 3 |
| IEC 62061 Safety Integrity Level | SIL _{CL} 3 |
| MTTFd | 2403 a |
| PFH | 1,89 E-09 |
| SFF | 99% |
| DCavg | 99% |
| β | 2,00 E-02 |
| β_b | 1,00 E-02 |
| MTTR | 8h |
| MRT | 8h |

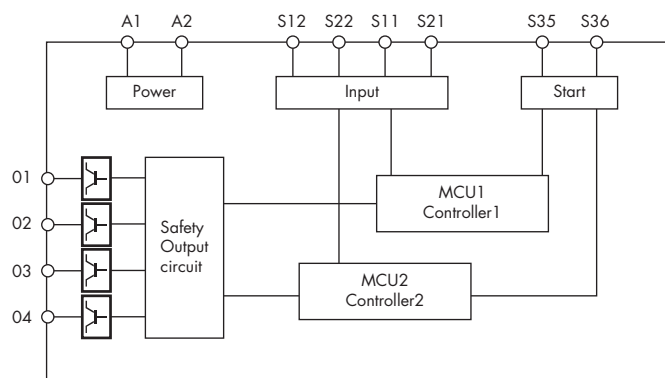
Note: The values for PL, SIL, Cat. are maximum values and may differ according to the chosen application and/or the chosen trigger elements



Information:

Safety functions were not evaluated by UL. Listing is accomplished according to requirements of Standard(s) mentioned in the report, general use applications.

4. Functional block diagram






5. Function description

| Function description | | |
|--------------------------|---|---|
| Release Outputs (Safety) | A | The release circuits are provided by the outputs O1,O2,O3,O4 |
| | B | Their correct functionality is permanently monitored |
| Trigger Inputs | A | The trigger outputs are provided by the outputs S11 S21 |
| | B | Their correct functionality is permanently monitored |
| Failure | A | A faulty device must be exchanged immediately, means the machine must never be driven by a faulty device |
| | B | The Mean Time To Repair is assumed to be 8 hours |
| | C | The error code shown should be reported |
| | D | A list of error codes is shown in paragraph 14.3 |
| Safe Condition | A | CERTUS switches into safe condition when an error occurs repeatedly (software filter) |
| | B | All release outputs (NOs AND NCs) and the trigger outputs are LOW |
| | C | The safe condition can only be reversed by a power-on- reset (switch CERTUS off and on) |
| Fail-Safe | A | In case of a Fail-Safe all outputs (S11, S21, O1,O2,O3,O4) are switched off |
| Software | A | In a fail safe mode, the software remains in a special state which can only be reverse by a power-on reset |
| | B | A blinkcode indicating the error condition is given on the LED CHANNEL. The LED POWER will also be blinking (see paragraph 14.2) |

6. Devices

6.1 Device

| | | CM22D0A | CM40D0A | CM30D1A |
|--------|--------------------------|---|---|---|
| | |  |  |  |
| Output | NO | 2 | 4 | 3 |
| | NO delayed | 2 | 0 | 0 |
| | Aux NC | 0 | 0 | 1 |
| | Assembly with hex-switch | ✓ | - | - |

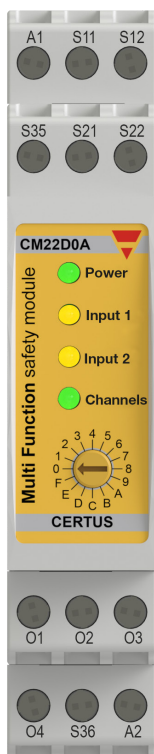
6.2 Device with HEX-Switch

| | | |
|---------|---|---|
| CM22D0A | A | Includes 4NO or... |
| | B | Includes 3NO + 1NC or... |
| | C | 2NO undelayed + 2NO delayed |
| | D | The delay can easily be selected via the hex switch on the front panel by using a screwdriver. (See paragraph 11.1) |

6.3 Device without HEX-Switch

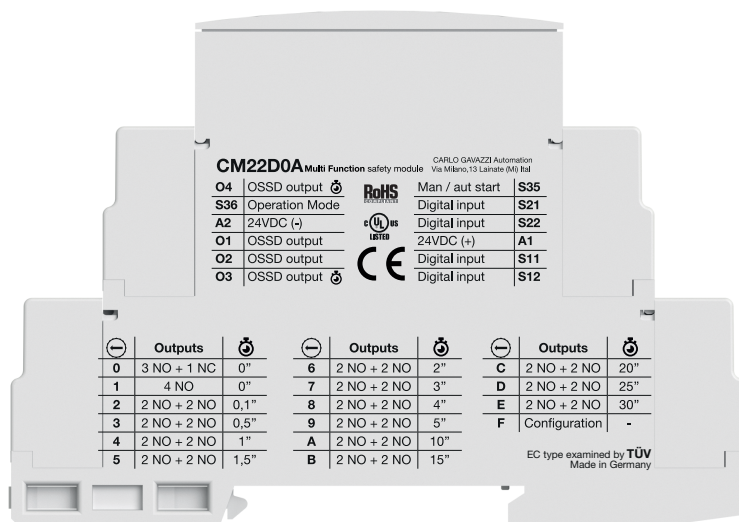
| | | |
|---------|---|--|
| CM40D0A | A | Provides 4 semiconductor safety outputs (OSSD) not delayed |
| CM30D1A | A | Provides 3 semiconductor safety outputs (OSSD) not delayed |
| | B | 1 auxiliary output (NC) not delayed |

7. Terminal layout



| | |
|------------|-----------------|
| A1 | 24VDC (+) |
| S11 | Digital input |
| S12 | Digital input |
| S35 | Man / aut start |
| S21 | Digital input |
| S22 | Digital input |

| | |
|------------|----------------|
| O1 | OSSD output |
| O2 | OSSD output |
| O3 | OSSD output |
| O4 | OSSD output |
| S36 | Operation Mode |
| A2 | 24VDC (-) |



| Terminal | Outputs | Terminal | Outputs | Terminal | Outputs |
|----------|------------------|----------|-----------------|----------|-----------------|
| 0 | 3 NO + 1 NC 0" | 6 | 2 NO + 2 NO 2" | C | 2 NO + 2 NO 20" |
| 1 | 4 NO 0" | 7 | 2 NO + 2 NO 3" | D | 2 NO + 2 NO 25" |
| 2 | 2 NO + 2 NO 0,1" | 8 | 2 NO + 2 NO 4" | E | 2 NO + 2 NO 30" |
| 3 | 2 NO + 2 NO 0,5" | 9 | 2 NO + 2 NO 5" | F | Configuration - |
| 4 | 2 NO + 2 NO 1" | A | 2 NO + 2 NO 10" | | |
| 5 | 2 NO + 2 NO 1,5" | B | 2 NO + 2 NO 15" | | |

8. Installation and environmental conditions



Warning:

CERTUS must be installed in a control cabinet with a protection grade of at least IP5X, otherwise dampness or dust may lead to malfunction.



Warning:

Avoid installation during storms.



Danger!

If the safety module is tampered with, it can no longer ensure the safety of the operator and the warranty is void.



Information:

Use the notch on the rear of the unit to attach it to a DIN rail. Ensure the unit is mounted securely on a vertical DIN rail (35 mm) by using a fixing element (e.g. retaining bracket or an end angle).



Information:

Do not dispose of the packaging in the environment.



Information:

CERTUS must only be used within an ambient temperature range of 0 - 55°C, away from any condensation or conducting fluids. To avoid possible interference, keep the connecting conductors separate from the power conductors.

9. Wiring











9.1 Power supply

24VDC \pm 20%, Class 2, <3W @24VDC without load

The external power supply fulfills the supply voltage requirements of EN 61496-1.

UL: limited voltage current or protected by a 4A UL248 listed fuse

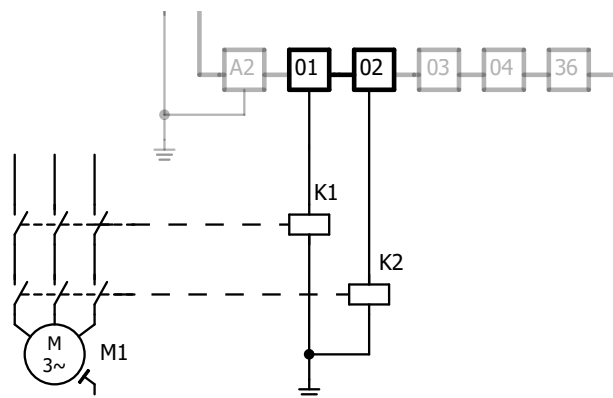
9.2 Wiring milestones

| | | |
|---|----|--|
|  | 1 | Warning: Failure to comply may result in high risk for operating personnel. |
|  | 2 | Warning: Max. terminal tightening torque: 0.4Nm (for all connections) UL: Overtorquing may cause enclosure breakage |
|  | 3 | Danger! To prevent contact welding, a fuse should be connected before the output contacts. |
|  | 4 | Danger! Sufficient fuse protection must be provided on all output contacts with capacitive and inductive loads. |
|  | 5 | Danger! Ensure the wiring and EMC requirements of IEC 60204-1 are met. |
|  | 6 | Information: Information given in 15. Technical data must be understood. |
|  | 7 | Information: Use conductors with section: 0,2 - 1,5 mm ² UL: Use 60/75°C copper wire only |
|  | 8 | Information: It is good practice to separate the power supply of the control unit from that of other electrical appliances (electrical motors, inverters, frequency variators) or other sources of disturbance. |
|  | 9 | Information: It is recommended to use conductors with section and length adequate for the terminals, currents and distances involved, ensuring that the conductors are not excessively tight, that their positioning avoids potential damage and that they are not in the way of people or things. |
|  | 10 | Do not exceed the electrical ratings. |

10. Function description

OSSD - Output Signal Switching Device

Not only must the output be safe, but also the complete wiring and surroundings. In order to reach cat. 4 of functional safety, two outputs must be wired as a pairs, so that a defect of one output cannot cause a total loss of safety, as the other one of the pair is still able to switch off the dangerous parts of the plant (or machine). So wiring similar to the following has to be carried out:



OSSD - Output signal switching device

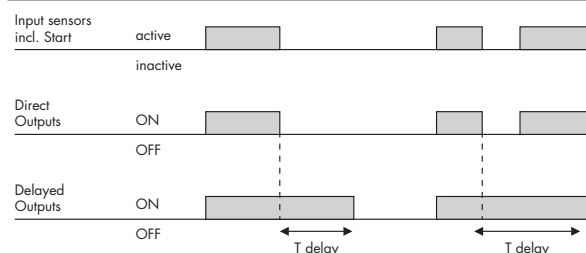
10.1 Normally Open (NO) Outputs

- | | |
|----------|--|
| A | The NO outputs react by closing their respective NO relays. At Startup are switched off. |
| B | They switch on when the safety sensors are active and the application has been started. |
| C | In case of a Fail-Safe the NOs are switched off. |
| D | If the power supply fails, the NOs are switched off. |

10.2 Normally Closed (NC) Output

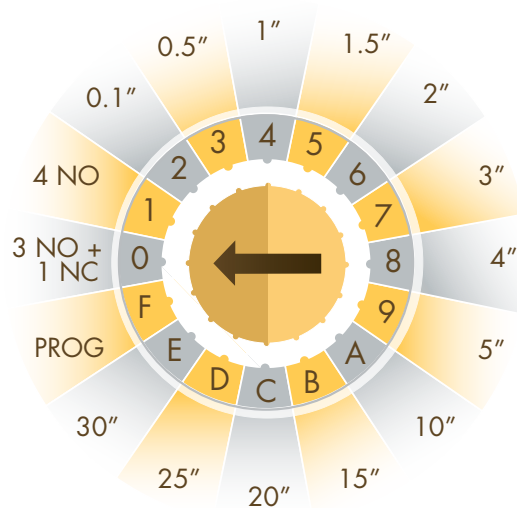
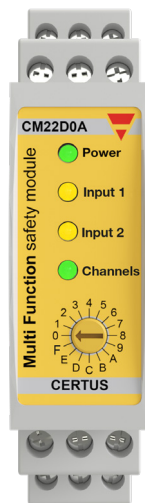
- | | |
|----------|---|
| A | In most cases the NC types react alternately to the NO types, if the NOs are switched on, the NCs are switched off and vice versa |
| B | During the configuration the NCs are switched off |
| C | In case of a Fail-Safe the NCs are switched off |
| D | If the power supply fails, the NCs are switched off |
| E | The NC is not a safety output |

10.3 Delayed NO Outputs



- | | |
|----------|--|
| A | There are 2 NOs delayed |
| B | The behaviour is off-delayed and retriggerable |

11. Available output configuration (CM22D0A only)



| Configuration | Hex-position | Delay [s] |
|----------------------------|--------------|-----------|
| 3 NO + 1 NC | 0 | 0 |
| 4 NO | 1 | 0 |
| 2 NO direct + 2 NO delayed | 2 | 0,1 |
| 2 NO direct + 2 NO delayed | 3 | 0,5 |
| 2 NO direct + 2 NO delayed | 4 | 1 |
| 2 NO direct + 2 NO delayed | 5 | 1,5 |
| 2 NO direct + 2 NO delayed | 6 | 2 |
| 2 NO direct + 2 NO delayed | 7 | 3 |
| 2 NO direct + 2 NO delayed | 8 | 4 |
| 2 NO direct + 2 NO delayed | 9 | 5 |
| 2 NO direct + 2 NO delayed | A | 10 |
| 2 NO direct + 2 NO delayed | B | 15 |
| 2 NO direct + 2 NO delayed | C | 20 |
| 2 NO direct + 2 NO delayed | D | 25 |
| 2 NO direct + 2 NO delayed | E | 30 |
| PROGRAMMING | F | - |

11.1 Changing the output configuration via Hex-Switch

- The hex-switch should be moved only during the changing of the output configuration.
- This is the only possibility to test the hex-switch.
- From position "2" to position "E" means 2 NO OSSD output + 2 NO delayed OSSD outputs.
- The delay time is shown above.



Warning:

The Hex-switch must only be rotated clockwise.
Any move in a counter-clock direction will leads to a fail-safe situation.
The Default setting is "O" (3NO + 1NC)

11.2 Output configuration

1 Hex-switch position



| Action | A |
|--------|---|
| | Switch off the power supply |
| | B Rotate the switch until reaching position "F" |
| | C Switch ON the power supply |
| | D Power and channel LED's will blink alternately and slowly |

2 Hex-switch position



| Action | A |
|--------|--|
| | Rotate clockwise until the required position is reached (e.g. A, 2NO + 2NO delay 10") |
| | B Wait app. 2.5 secs without moving the switch power and channel LED's will now blink fast |
| | C Configuration accepted |

3 Hex-switch position



| Action | A |
|--------|--|
| | Switch the module off and on again |
| | B Certus wil start with a configuration |
| | C If the required position is missed the switch must be turned a full rotation (only clockwise). |
| | D Repeat the procedure from point 1 A if necessary |



Attention:

While power is OFF you can rotate in either direction.

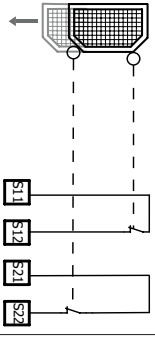
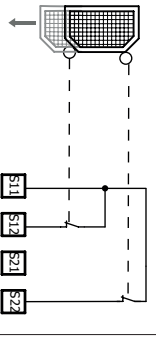
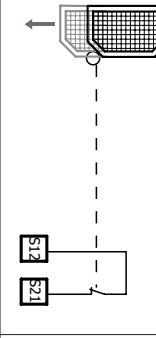
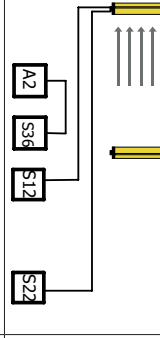
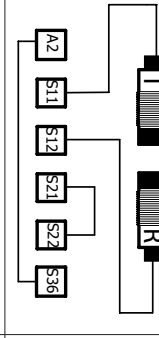
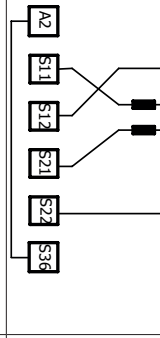


Attention:

Full rotations in a clockwise direction can be made several times if the right position is passed.

12. Operation configuration

The applications below show the correct wiring for the CERTUS devices.

| N° configuration | SC1 | SC2 | SC3 | SC4 | SC5 | SC6 |
|------------------------|---|---|---|--|---|---|
| Input type | E-stop E-gate | E-stop E-gate | E-stop E-gate | ESPE type 4 | ESPE type 2 | Safety mat |
| Channel | 2 | 2 | 1 | 2 | 1 | |
| N° wires | 4 | 3 | 2 | | 2 | 4 |
| Wiring |  |  |  |  |  |  |
| Safety category | Cat. 4 | Cat. 3 | Cat. 2 | Cat. 4 | Cat. 2 | Cat. 3 |
| Performance level | PL e | PL d | PL c | PL e | PL c | PL e |
| Safety integrity level | SIL 3 | SIL 2 | SIL 1 | SIL 3 | SIL 1 | SIL 2 |
| Response time | 20 msec | 20 msec | 20 msec | 20 msec | 25 msec | 20 msec |
| Paragraph | 12.1.1 | 12.1.2 | 12.1.3 | 12.1.4 | 12.1.5 | 12.1.6 |



Information:

For the delayed outputs (O3, O4) the delay has to be added.

12.1 Recognizing the Operational configuration

During the start (all outputs are switched off, also the NC-output) the connections of outputs S11 and S12 are checked. If a valid configuration is detected, the software moves into its normal operational mode and the outputs are enabled depending on the configuration. If there are mechanical trigger elements electrically open, there will be a wait until the trigger elements are closed, so their wiring can be recognized (SC1, SC2, SC3, SC6). The same happens with the electrical ESPEs (SC4, SC5).



Information:

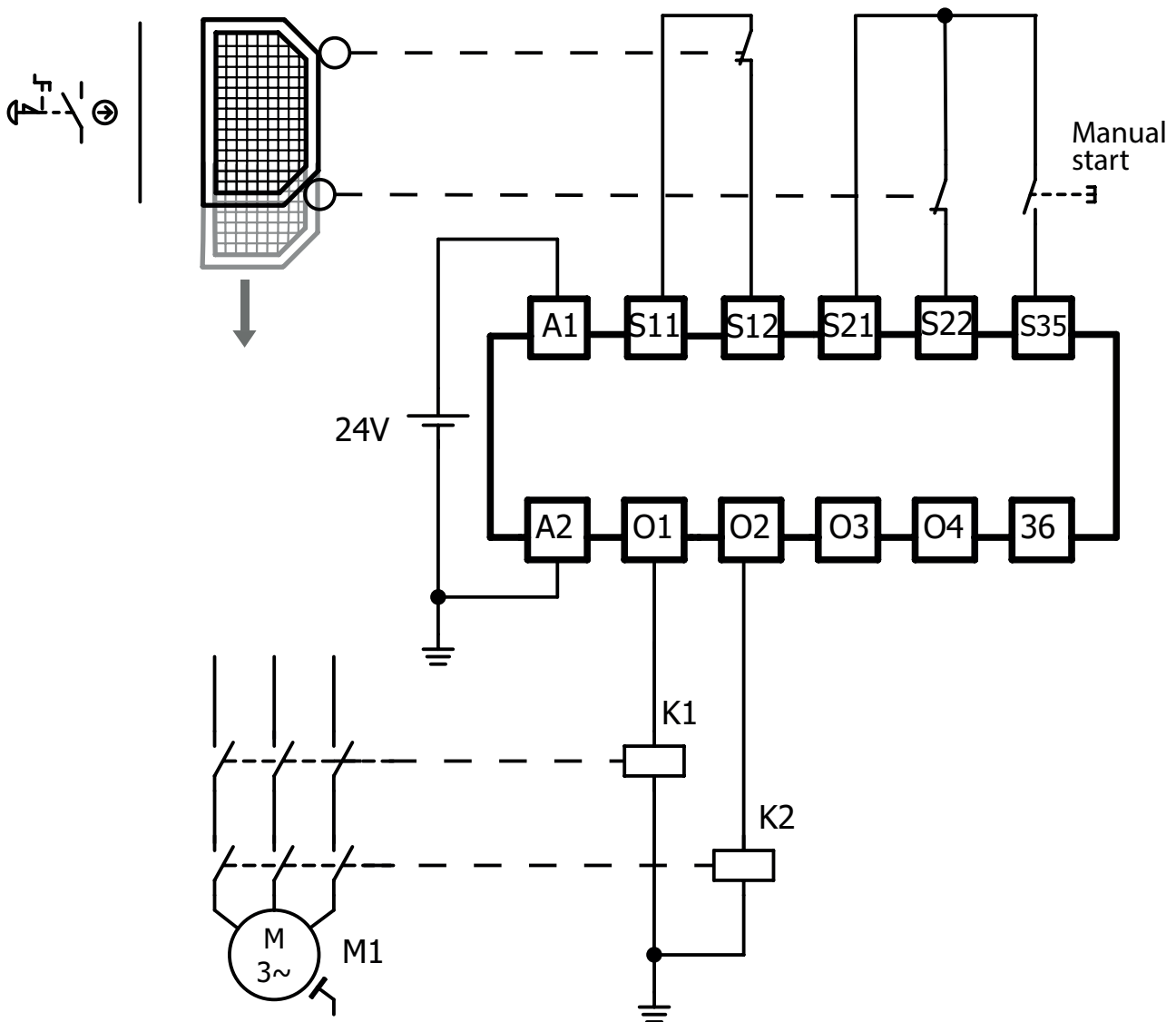
SC4 and SC5 will be recognized independently of the status of the ESPE.

12.1.1 E-Stop / E-Gate 4 wire

E-stop and e-gate application

| | |
|----------|---|
| A | A cross circuit between the two channels will be recognized (fail-safe) |
| B | A short circuit of VDC will be recognized |
| C | A short circuit against Ground will not be recognized |
| D | In case of a fault the status of the release outputs will not become HIGH |

Cat 4; PL_e, SIL3 possible (also depending on the output wiring and the chosen trigger elements).



Attention:

Check correct functioning of the entire safety system (module + input device) following each re-installation. In particular, if the original operating mode was Manual, check that the unit has been reconfigured in this mode.



Information:

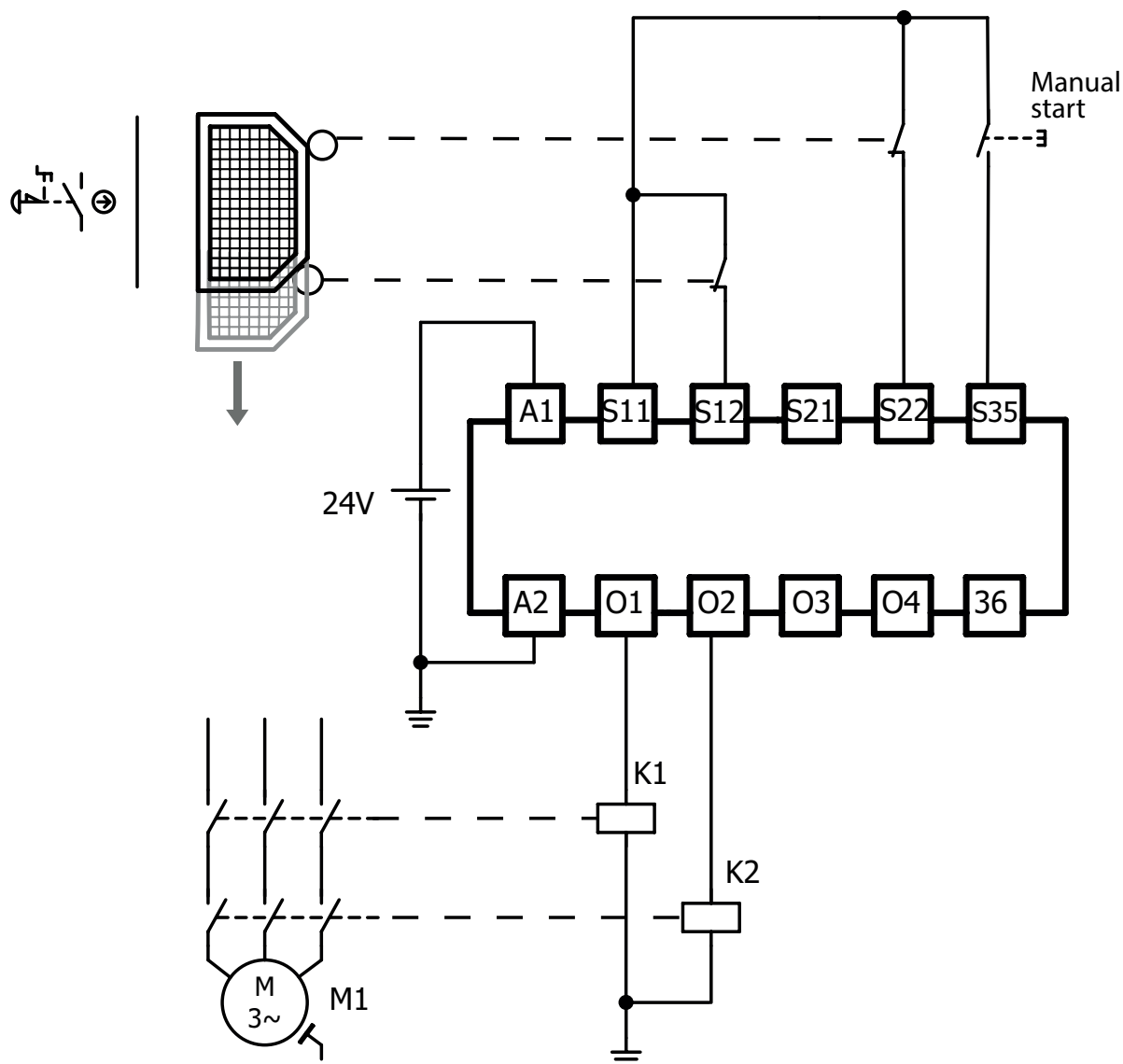
Please note that on e-stop applications an automatic start is not possible.

12.1.2 E-Stop / E-Gate 3 wire

E-stop and e-gate application

| | |
|----------|--|
| A | A cross circuit between the two channels will not be recognized |
| B | A short circuit of VDC will be recognized |
| C | A short circuit against Ground will not be recognized but the status of the release outputs will not become HIGH |
| D | 3 wires are needed |

Cat 3; PLd; SIL2 possible (also depending on the output wiring and the chosen trigger elements).



Attention:

Check correct functioning of the entire safety system (module + input device) following each re-installation. In particular, if the original operating mode was Manual, check that the unit has been reconfigured in this mode.



Information:

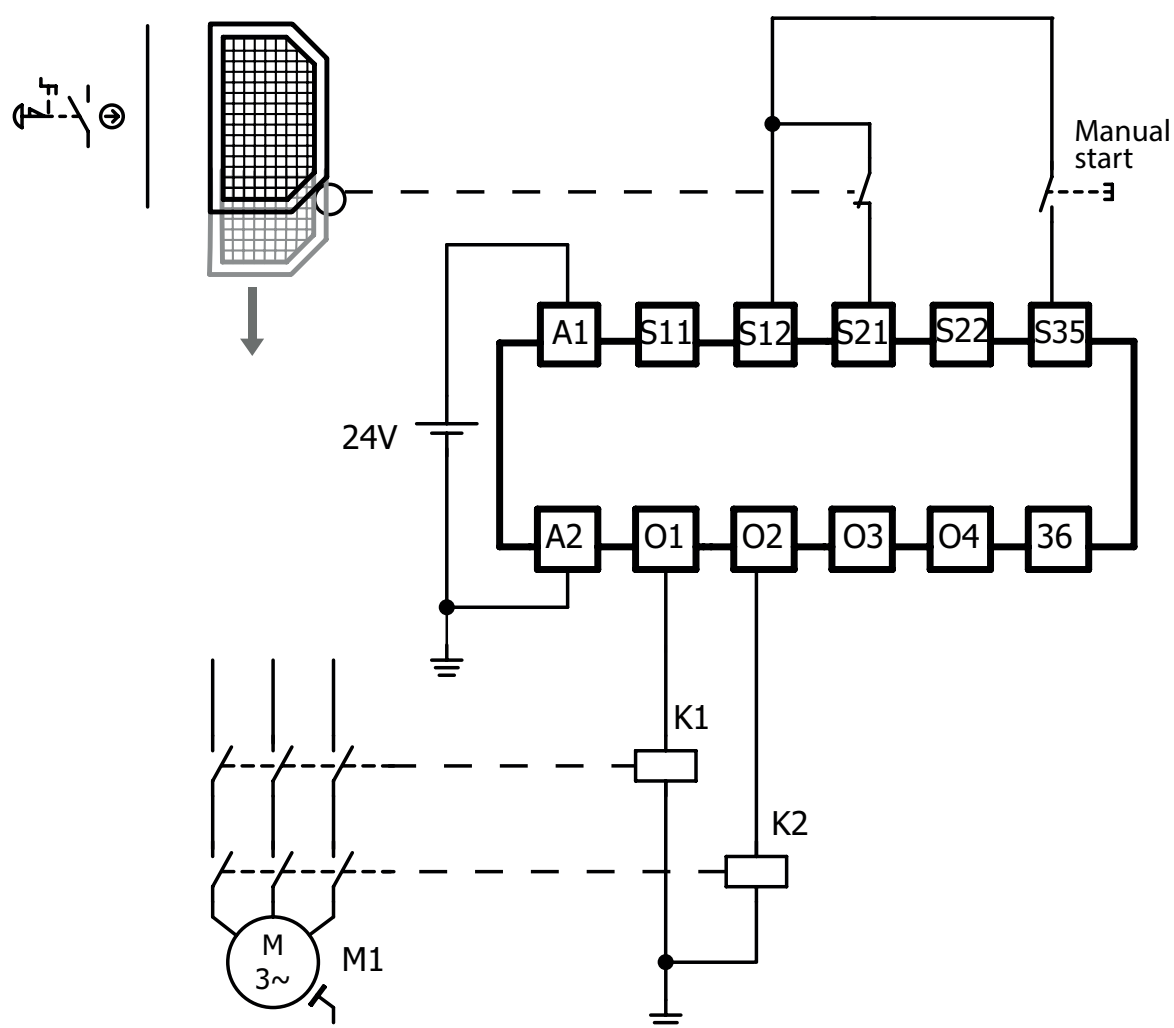
Please note that on e-stop applications an automatic start is not possible.

12.1.3 E-stop / E-Gate 2 wire

E-stop and e-gate applications

- | | |
|---|--|
| A | This is an e-stop and e-gate application with only one channel and a one-channel trigger element |
| B | A short circuit against VDC will be recognized |
| C | A short circuit against Ground will not be recognized but the status of the outputs will not become HIGH |

Cat 2; PLc, SIL1 possible (also depending on the output wiring and the chosen trigger elements).



Attention:

Check correct functioning of the entire safety system (module + input device) following each re-installation. In particular, if the original operating mode was Manual, check that the unit has been reconfigured in this mode.



Information:

Please note that on e-stop applications an automatic start is not possible.



Information:

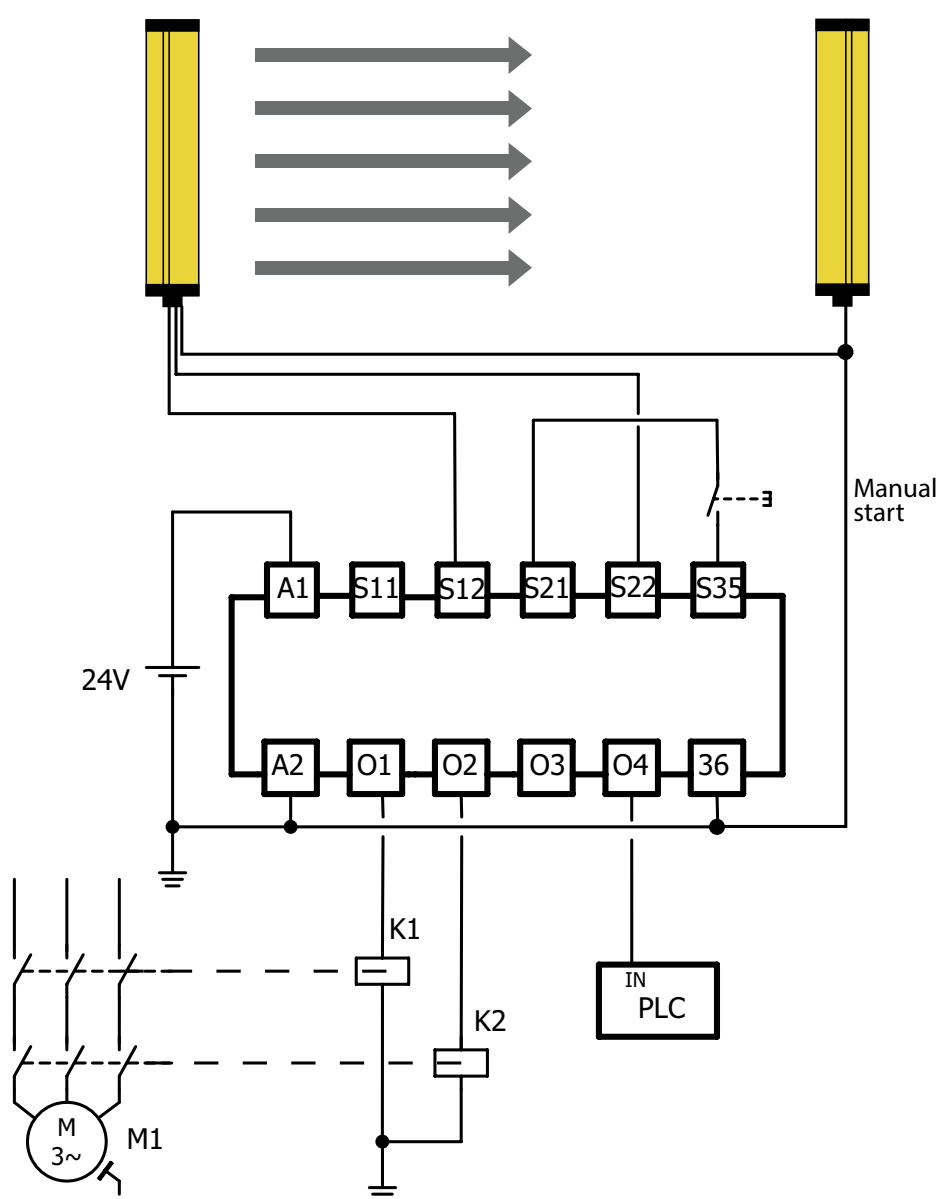
With single-channel wiring the safety level of the machine/plant may be lower than the safety level of the unit.

12.1.4 ESPD – (type 4 / type 2) two channels

ESPE applications (ElectroSensitive Protective Element)

| | |
|----------|--|
| A | A cross circuit between the two channels will not be recognized |
| B | A short circuit of VDC will not be recognized |
| C | A short circuit against Ground will not be recognized, but the status of the release output will not become HIGH |
| D | The ESPD devices should recognize the above faults |
| E | 3 wires are needed |

Cat 4; PLe; SIL3 possible (depending on the ESPE)



Attention:

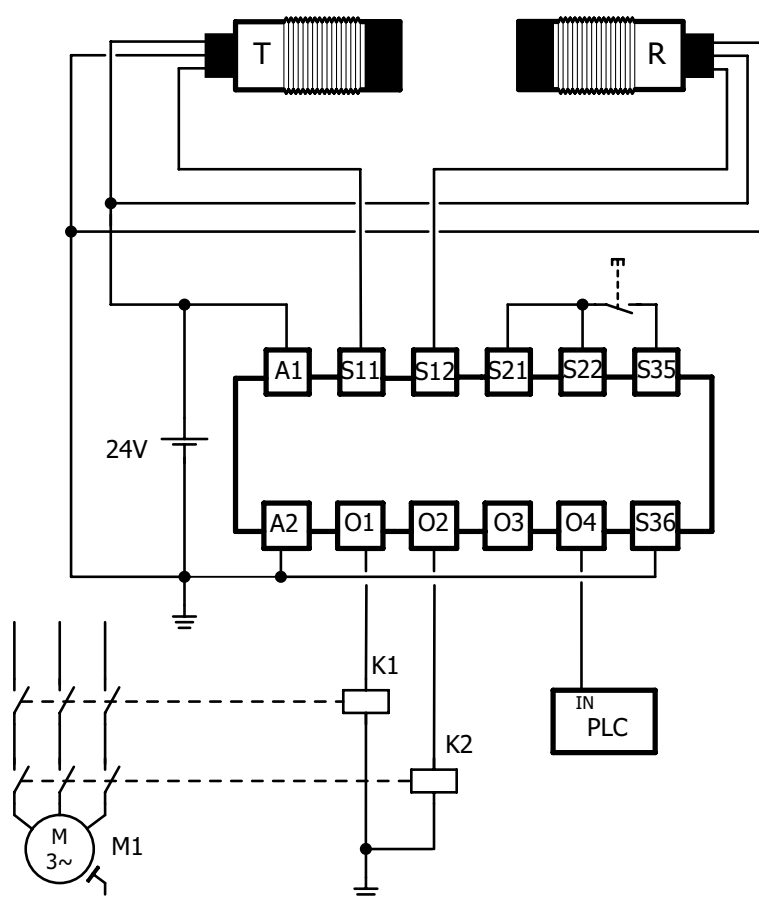
Check correct functioning of the entire safety system (module + input device) following each re-installation. In particular, if the original operating mode was Manual, check that the unit has been reconfigured in this mode.

12.1.5 Testable ESPD (type 2 / type 4)

Testable ESPE type 2 applications (ElectroSensitive Protective Element)

| | |
|---|---|
| A | A short circuit of VDC will be recognized |
| B | A short circuit against Ground will not be recognized |
| C | The status of the release output will not become HIGH |
| D | The testing is initiated by CERTUS |
| E | Up to 4 pairs of single beam |

Cat 2; Plc; SIL1 possible (depending on the ESPE)



Attention:

Check correct functioning of the entire safety system (module + input device) following each re-installation. In particular, if the original operating mode was Manual, check that the unit has been reconfigured in this mode.



Information:

With single-channel wiring the safety level of the machine/plant may be lower than the safety level of the unit.



Attention:

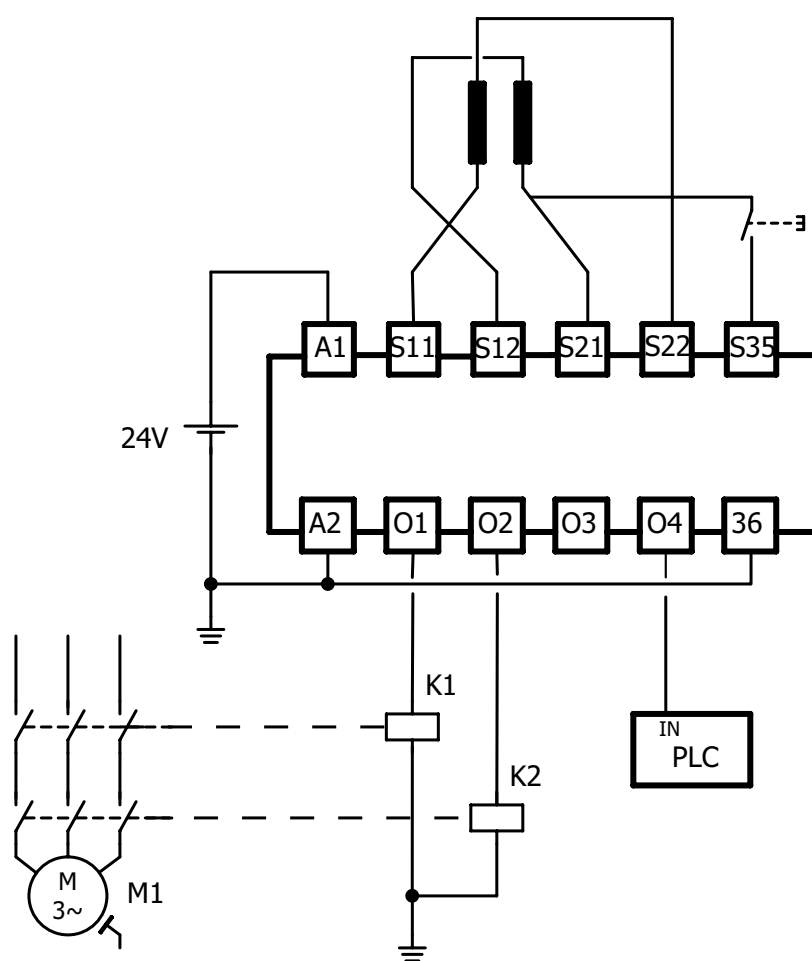
Press the START button for 2 seconds to runs a test of the safety light beams.

12.1.6 Safety Mat

Safety mat applications (4 wire)

| | |
|----------|--|
| A | The two mat circuits are permanently monitored |
| B | A shortening in the two mat circuits is interpreted as an entered mat and leads to the outputs to being switched off (but the NC-circuit, which will be switched on) |
| C | A short circuit of VDC will be recognized |
| D | A short circuit against Ground will be recognized |
| E | A broken wire will also be recognized |

Cat 3; PLe; SIL2 possible (depending on the Safety Mat)



Attention:

It is mandatory not to exceed the resistive rating. This should be kept at <math><200\text{ Ohm}</math>



Attention:

Check correct functioning of the entire safety system (module + input device) following each re-installation. In particular, if the original operating mode was Manual, check that the unit has been reconfigured in this mode.



Information:

With single-channel wiring the safety level of the machine/plant may be lower than the safety level of the unit.

13. Start behaviour

| Start behaviour | | |
|-----------------------------|----------|--|
| 13.1 Manual start | A | The start button is monitored. Any change of the input level must be recognized to accept the start signal |
| | B | The outputs are switched on after the start button is released (moved from HIGH to LOW at S35; mode MS1) |
| | C | An erroneously permanently HIGH- or LOW-level does not lead to a dangerous situation as the outputs does not become HIGH |
| | D | Contacts (NC) of an external contactor can be wired in series for monitoring (mode MS1b) |
| 13.2 Automatic start | A | The start button is not monitored. The terminals may be permanently bridged. |
| | B | The outputs are switched on after the start button is pushed (simply HIGH level; mode MS2) |
| | C | An erroneously permanently HIGH-level may lead to a dangerous situation as the outputs immediately become HIGH |
| | D | Contacts (NC) of an external contactor can be wired in series for monitoring (mode MS2c) |

| Start mode | Mode | Wiring |
|--|-------------|--------|
| Manual start (start button monitored) | MS1a | |
| Manual start with feedback from external contactor expansion | MS1b | |
| Automatic start | MS2a | |
| Automatic start without monitoring of the start button | MS2b | |
| Automatic start without monitoring of the start button | MS2c | |



Information:

- The Restart command must be installed outside the danger area in a position where the danger area and the entire work area concerned are clearly visible.
- It must not be possible to reach the control from inside the danger area.



Attention:




Use in manual mode (start/restart interlock activated) is mandatory where the safety device controls an access protecting a danger zone. This is to prevent a situation in which, once a person has passed through the opening, they could remain in the danger zone without being detected (use as a trip device according to IEC 61496). Failure to comply with this rule may result in serious risks to people exposed.

14. Operation

A blinkcode describing any error condition can be seen via the LED Channels, with the LED light POWER blinking

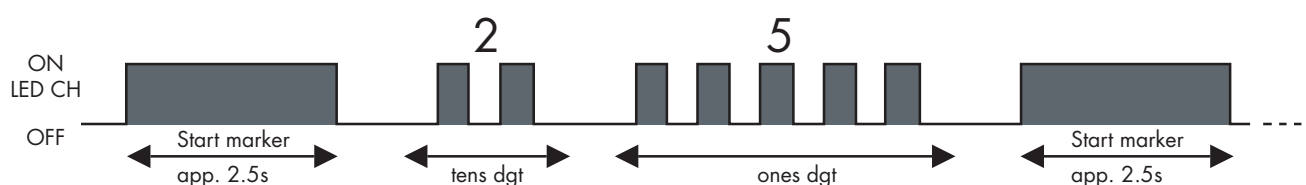
14.1 Status indicator

4 LEDs on the front panel indicate the status and any errors during operation:

| Status indicator | | | |
|---|--------|-----------------------------|--|
| LED | Colour | Action | Meaning |
|  | Green | ON | CERTUS is switched on and working |
| | | Blinking slowly | An error has occurred |
|  | Yellow | HIGH in inputs 1/2 detected | The status of the inputs are mirrored, regardless of the status of the device |
|  | Green | OFF | Triggers not activated (i.e. at least one estop switch is open) |
| | | Blinking slowly | Triggers are activated (i.e. both E-stop switches are closed); waiting for start. |
| | | Blinking fast | Output delay active (only delayed configurations) |
| | | ON | Triggers are activated; start is performed; the outputs are active (NCs HIGH; NOs LOW) |
| | | Error code | Please see error code description in Paragraph 14.2 |

14.2 Blink code

The blinkcode can be seen in any case of error, according to the following timing (Example error code 25):



14.3 Error code

| Error code | Blinkcode | Meaning |
|----------------------|-----------|--|
| STATE_X_CFG_2 | 17 | Error recognizing a configuration, check wiring |
| STATE_X_CFG_UNKNOWN | 18 | Error recognizing a configuration, check wiring |
| STATE_X_OUTPUT_PWR | 21 | Output error, maybe cross circuited or permanently earthed or +24VDC |
| STATE_X_OUTPUT_14_44 | 22 | Output error, maybe cross circuited or permanently earthed or +24VDC |
| STATE_X_OUTPUT_S11 | 23 | S11 error (Loopback) please see remark below |
| STATE_X_OUTPUT_S21 | 24 | S21 error (Loopback) please remark: in the case of a short circuit to ground of S11/S21 error STATE_X_OUTPUT_S2 is dominant due to a common PTC |
| STATE_X_INPUT_S11 | 25 | Error on an input that is wired to S11 (SC1 .. SC3) only |
| STATE_X_INPUT_S21 | 26 | Error on an input that is wired to S21 (SC1 .. SC3) only |
| STATE_X_MAT | 27 | Mat error, at least one circuit is open |
| STATE_X_S36 | 28 | Error S36 changed |
| STATE_X_S35_START | 29 | Error start configuration, most probably changed |
| STATE_X_REC | 32 | Error in configuration recognition (different results) |
| STATE_X_REC_S | 33 | Error in configuration recognition (different results) |
| STATE_X_COMPEEPROM | 34 | Error: Hex switch does not match EEPROM |
| STATE_X_ESPD | 35 | Error in communication with ESPD type |
| STATE_X_ESPD_S21S22 | 36 | Error in S21-S22 bridge |

15. Technical data

| Power supply | |
|---|---|
| Power supply | 19.2 - 28.8 VDC |
| | The external power supply fulfills the supply voltage requirements of the EN 61496-1. |
| Inputs | |
| Number of channels | 2 |
| Trigger inputs | S12 and S22 |
| Input voltage (Acc. to EN61131) | 24 VDC (>12V = HIGH) 24VDC (<2V = LOW) Class 2 or LV/LC |
| Input current | >6mA, typical 8mA |
| Operating mode | Manual or Automatic |
| Number of connectable light curtains ESPE (SC4 configuration) | 2 |
| Number of testable single beam ESPE (SC5 configuration) | 4 |
| Outputs | |
| Number of output | 4 |
| Number of safety outputs | 4 |
| Instantaneous safety outputs | 2 |
| Delayed safety outputs | 2 |
| NC auxiliary output | 1 (CM30D1A) |
| Type | Semiconductor |
| Output voltage | 24VDC |
| Max. current | ≤ 400 mA (UL: 350mA @ 55°C) |
| Max. drop voltage | ≤ 2V |
| Safety parameters | |
| ISO 13849-1 Cat. | Cat. 4 |
| ISO 13849-1 Performance Level | PL e |
| IEC 61508 Safety Integrity Level | SIL 3 |
| IEC 62061 Safety Integrity Level | SILCL 3 |
| MTTFd | 2403 a |
| PFH | 1,89 E-09 |
| SFF | 99% |
| DCavg | 99% |
| β | 2,00 E-02 |
| β_0 | 1,00 E-02 |
| MTTR | 8h |
| MRT | 8h |

Compatibility and conformity

Approvals

EC type examined by TÜV



Environmental

Protection grade

IP 5X

Operating Temperature

0 ÷ 55°C



Information:

You must comply with the safety-related parameters in order to ensure the required safety level for your plant/machine. All the units which use a safety function must be considered when calculating the overall safety level.

16. Dimensions mm



17. Inspection and maintenance

| Inspection and maintenance | | |
|----------------------------|---|--|
| Inspection | A | The integrity of the module and of all the connected devices must be checked regularly according to the risk evaluation of the plant, under the complete responsibility of the user. |
| | B | In particular it is necessary to perform regular tests on board in order to verify that the input devices are not faulty. |
| Maintenance | A | Activate the safety function and check whether all the relevant safety contacts open correctly. |
| | B | During the configuration the NC outputs are switched off. |
| | C | The safety module doesn't require internal maintenance. |
| | D | It must be periodically cleaned - with plant and module switched off - together with all the connected devices, removing any dust, liquids or condensation. |



Attention:

The safety functions should only be checked by qualified personnel.



Attention:

In the event of a switch-off of the module or of the machine it is necessary to perform a test in order to verify the integrity of the module and the external device system.

