

$0 < L \leq 25$	± 0.10	± 0.15	$0 < L \leq 10$	$\pm 1.0^*$
$25 < L \leq 63$	± 0.10	± 0.20	$10 < L \leq 25$	$\pm 0.7^*$
$63 < L \leq 160$	± 0.15	± 0.25	$25 < L \leq 63$	$\pm 0.5^*$
$160 < L \leq 400$	± 0.20	± 0.30	$63 < L \leq 160$	$\pm 0.5^*$

A					

D

D

C

C

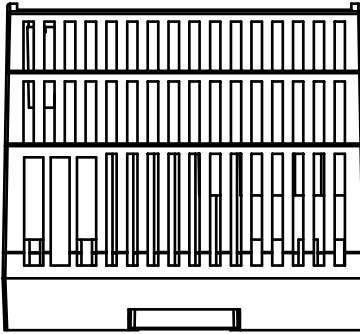
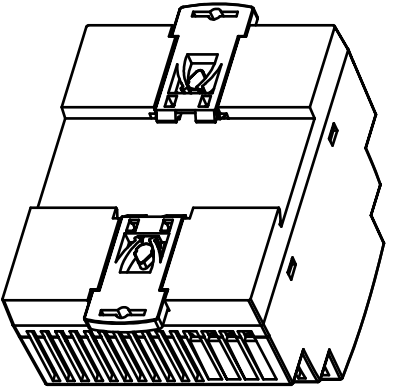
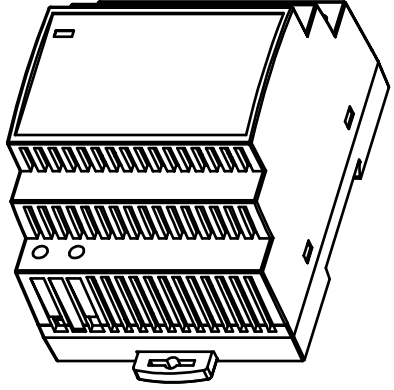
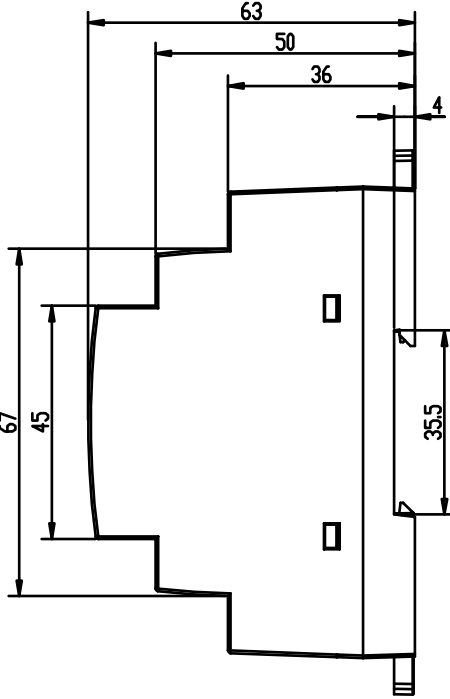
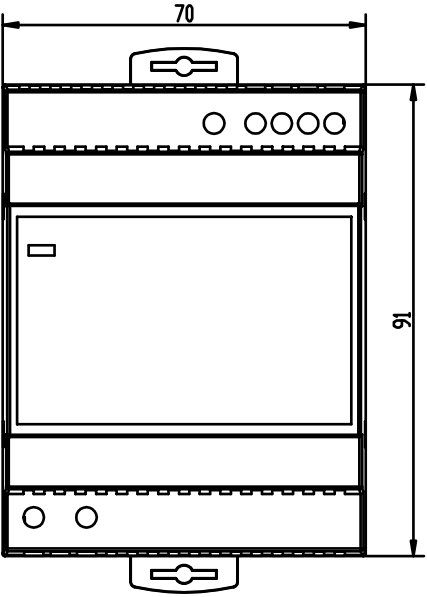
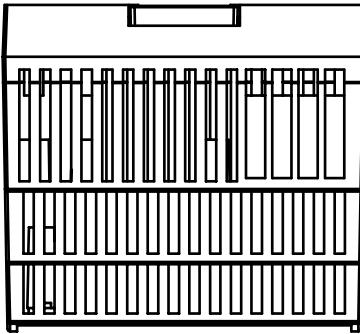
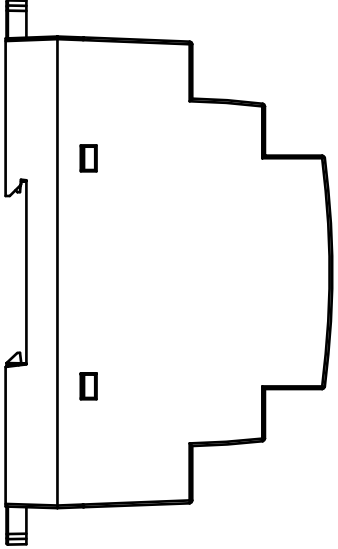
B

B

A

A

SPMA-4D



				SPMA-4D	
					PAGE 1 OF 1
			1:1	MM	

A3

A