

# smart-house Eunica line, Multiple Sensor Type SHE5XLS4TH

CARLO GAVAZZI



- Light switch for building automation with integrated sensors for temperature and humidity
- Developed to fit into wall socket and frames from Elko, Gira and Jung
- 4 individually programmable pushbutton inputs
- Supplied by bus, no external supply required
- Delivered with 2 white and 1 black pushbutton covers
- White LEDs: programmable guide light function
- Blue LEDs: programmable function status
- Temperature range: -40 to +60°C
- Humidity range 5 to 95 %

## Product Description

The SHE5XLS4TH is a light switch with 4 buttons and 4 LED outputs which integrates a temperature and a humidity sensor just in one item. It is developed to be mounted into the 55 x 55 wall socket and frame from Elko, Gira and Jung. This light-switch with its integrated sensors is part of the smart-house concept for building automation applica-

tions. The push buttons can be used to activate/deactivate any function, while the inputs provided by the two sensors can be used to control temperature, fans or whatever other function where a temperature or humidity value is needed. The SHE5XLS4TH is fully programmable via the SH tool.

## Ordering Key

**SHE 5 X LS 4 T H**

smart-house \_\_\_\_\_  
Housing 55 x 55 mm \_\_\_\_\_  
Standard \_\_\_\_\_  
Light switch \_\_\_\_\_  
Switch number \_\_\_\_\_  
Temperature \_\_\_\_\_  
Humidity \_\_\_\_\_

## Type Selection

Housing	Colour	LEDs	Supply by bus
55 x 55 mm	White/Black*	4 white / 4 blue	SHE5XLS4TH

\*Delivered with white and black pushbutton covers

## Input Specifications

<b>Temperature</b> Sensor range Accuracy	-40° to + 60°C (-40° to 140°F) -40° to -20°C (-40° to -4°F), 1°C -20° to +60°C (-4° to 140°F), 0.5°C
<b>Humidity</b> Sensor range Accuracy	5 to 95% RH ± 3%
<b>Keypad</b>	4 push buttons

## Dupline® Specifications

<b>Voltage</b>	8.2 V
<b>Maximum Dupline® voltage</b>	10 V
<b>Minimum Dupline® voltage</b>	5.5 V
<b>Maximum Dupline® current</b>	3 mA

## Output Specifications

<b>LED</b>	4 white / 4 blue
------------	------------------

## Supply Specifications

<b>Power supply</b>	Supplied by bus
---------------------	-----------------



## General Specifications

<b>Address assignments</b>	Automatic The controller recognises the module through the SIN (Specific Identification Number) that has to be inserted in the configuration tool	<b>Weight</b>	50 g
<b>Environment</b>	Degree of protection Pollution degree Operating temperature Storage temperature Humidity (non-condensing)	<b>Approvals</b>	cULus, according to UL60950 <b>UL notes:</b> Max room temperature: 40°C
<b>Connection</b>	Screwless detachable D+ D-	<b>CE Marking</b>	Yes
<b>Housing</b>	Back part dimensions Back part + front dimensions Back part material Push button covers	<b>EMC</b>	Immunity - Electrostatic discharge - Radiated radiofrequency - Burst immunity - Surge - Conducted radio frequency - Power frequency magnetic fields - Voltage dips, variations, interruptions Emission - Conducted and radiated emissions - Conducted emissions - Radiated emissions
Accessories	0.2 to 1.5 mm <sup>2</sup> Signal GND		EN 61000-6-2 EN 61000-4-2 EN 61000-4-3 EN 61000-4-4 EN 61000-4-5 EN 61000-4-6  EN 61000-4-8  EN 61000-4-11 EN 61000-6-3  CISPR 22 (EN55022), cl. B CISPR 16-2-1 (EN55016-2-1) CISPR 16-2-3 (EN55016-2-3)

## Mode of Operation

The SHE5XLS4TH is fully programmable via the SH Tool.

Each push-button, the temperature sensor and the humidity sensor can be individually associated to one or more of the functions supported by the smart-house system.

### Addressing

No addressing is needed since the module is provided with a specific identification number (SIN): the user has only to insert the SIN number in the SH tool when creating the system configuration.  
Used channels: 4 input channels, 4 output channels.

### LED programming

Also the LEDs are configurable via SH Tool:

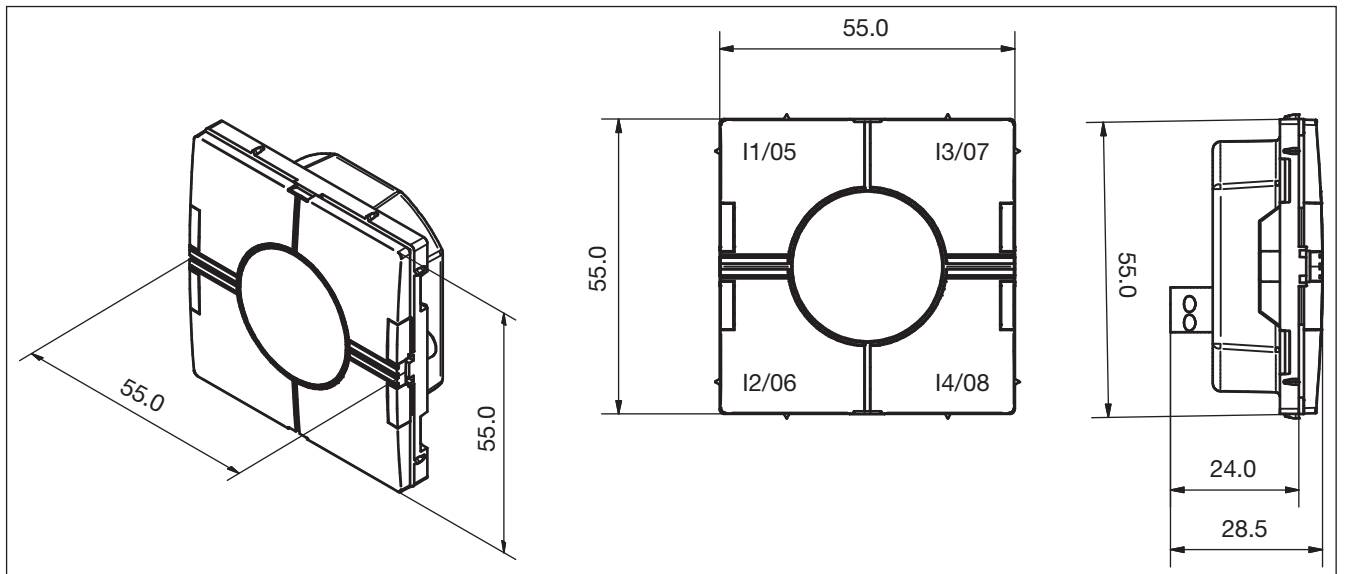
- White LEDs. The 4 white LEDs can be programmed as guide light.
  - Blue LEDs: The 4 blue LEDs can be individually programmed as function status indication.
- If the dupline bus is faulty or missing, the LED will be OFF.

### Wall Socket and frame compatible with the Eunica line

The Eunica 55 x 55 light switch can fit into the frame and wall socket listed below: for any other model not included here below, Carlo Gavazzi does not grant any compatibility.

- ELKO
- GIRA
- JUNG.

## Dimensions



## Wiring Diagrams

