

SBP2WREP230



Wireless Repeater



Benefits

- **Fast and easy installation.** In cabinets.
- **Easy to use.** Simplifies the network design.
- **High working distance.** Extends the network length to cover distances longer than 700 m line of sight.
- **Scalability.** New modules can be progressively integrated into the system according to the application needs.

Description

SBP2WREP230 is a wireless Smart Dupline® repeater. It replicates the wireless command from the wireless base SH2WBU230N to the wireless modules that can not be reached by the SH2WBU230N.

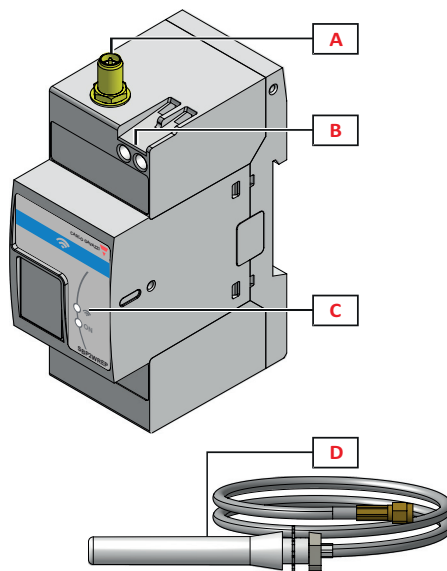
Applications

Parking Guidance Systems, Building automation, Energy Efficiency Performance Management.

Main features

- The route of the repeated wireless signal can be programmed via the configuration tool.
- Maximum four repeaters can be programmed between SH2WBU230N base and the I / O module.
- Wireless transmission based on IEEE 802.15.4, at 2.4GHz.

Structure

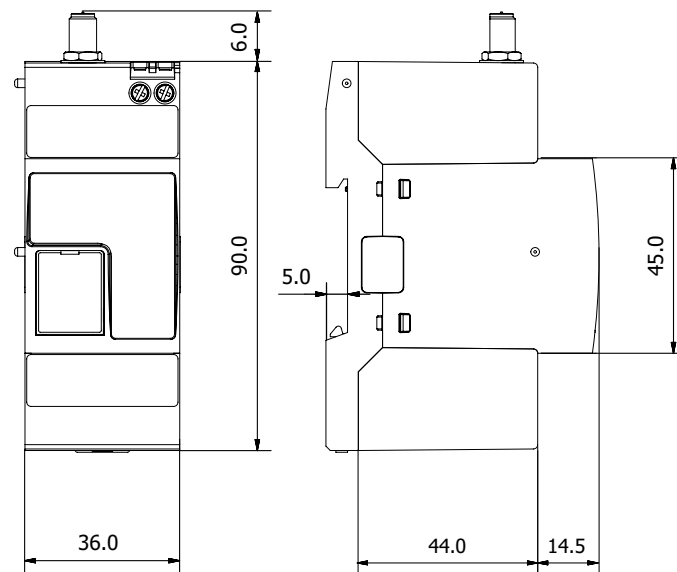


Element	Component	Function
A	Antenna	Connection terminal
B	Power supply	Power supply terminals A1(+), A2(-)
C	Information LED	Indicating the following status: Green LED: Power supply Blue LED: WiDup
D	Antenna	2.4 GHz with 2 meters cable

Features

General




Material	Noryl
Dimensions	2-DIN module
Weight	210 g (including the antenna)
Protection grade	Front: IP50; Screw terminal: IP20
Terminal	2 screw-type; Section: 1.5 mm ² maximum; Torque: 0.4-0.8 Nm



Environmental

Operating temperature	-20° to +50°C (-4° to 122°F)
Storage temperature	-50° to +85°C (-58° to 185°F)
Humidity (non-condensing)	20 to 80% RH

Compatibility and conformity

Directives	2014/53/EU (RED)
Electromagnetic compatibility (EMC) - immunity	EN 61000-6-2 Electrostatic discharge: EN 61000-4-2 Radiated radiofrequency: EN 61000-4-3 Burst immunity: EN 61000-4-4 Surge: EN 61000-4-5 Conducted radio frequency: EN 61000-4-6 Power frequency magnetic fields: EN 61000-4-8 Voltage dips, variations, interruptions: EN 61000-4-11
Electromagnetic compatibility (EMC) - emissions	EN 61000-6-3 Conducted and radiated emissions: CISPR 22 (EN55022), cl. B Conducted emissions: CISPR 16-2-1 EN55016-2-1 Radiated emissions: CISPR 16-2-3 (EN55016-2-3)
Approvals	   FCC ID= SNJWBU

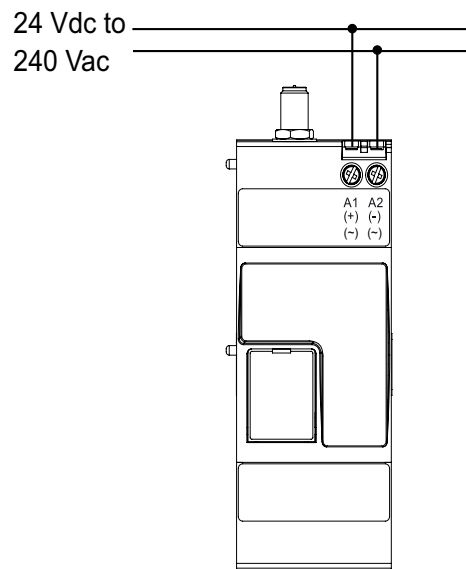
Power Supply

Power Supply	Overvoltage category II (IEC 60664-1, par. 4.3.3.2)
Operational voltage range	24 VDC +/-20%, 115-240VAC 50/60 Hz +/-10%
Rated operational power	2.4 W
Protection for reverse polarity	Yes
Connection	A1 (+) and A2 (-)
Power on delay	Typ. 2 s
Power off delay	1 s

WiDup specification

Bus	Wireless Dupline
Frequency	IEEE 802.15.4, @ 2.4 Ghz
Diagnostics	1. Field strength 2. Network activities 3. Devices' presence
Network topology	Star with max four wireless repeaters
Antenna	External
Transmission power	According to IEEE 802.15.4
Sensitivity	According to IEEE 802.15.4
Number of slave nodes	Up to 250
Transmission range	<700 m in the open air
Addressing	The address assignment is automatic: the controller recognises the module through the SIN (Specific Identification Number) that has to be inserted in the UWP 3.0 tool.

Connection Diagrams





References

Further reading

Information	Document	Where to find it
UWP3.0 installation guide	System manual	www.productselection.net/MANUALS/UK/uwp3.0_system.pdf
UWP3.0 software manual	UWP3.0 tool manual	www.productselection.net/MANUALS/UK/uwp3.0_tool.pdf

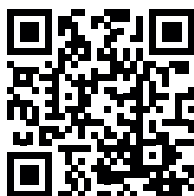
Order code



SBP2WREP230

CARLO GAVAZZI compatible components

Purpose	Component name/code	Notes
Controller	UWP 3.0	
Bus generator	SH2WBU230N	



COPYRIGHT ©2020
Content subject to change. Download the PDF: www.productselection.net