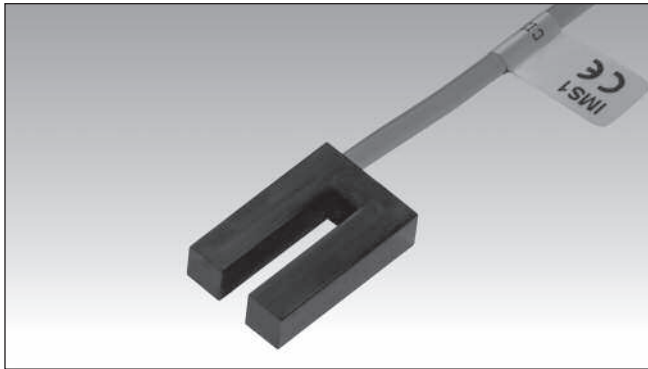


# Proximity Magnetic Sensors Slot Sensors IM Series



- Slot plastic housing
- NC or CO output functions
- Small dimensions

## Product Description

In IM series the minimum air gap from ferromagnetic parts is 10 millimeters; the minimum distance between the fixing holes of two continuous switches is 7 cm. The optimum dimensions concerning soft iron actuators is 15 x 40 x 1 mm.

## Ordering Key

**IM S 1**

Type \_\_\_\_\_  
 Output function \_\_\_\_\_  
 Reed contact type \_\_\_\_\_

## Type Selection

Housing dimensions	Connection	Output function	Reference
28 x 18.5 x 7 28 x 18.5 x 7	PVC cable L= 0.5m PVC cable L= 0.5m	NC CO	<b>IM C 3</b> <b>IM S 1</b>

Dimensions are specified in millimeters (mm)

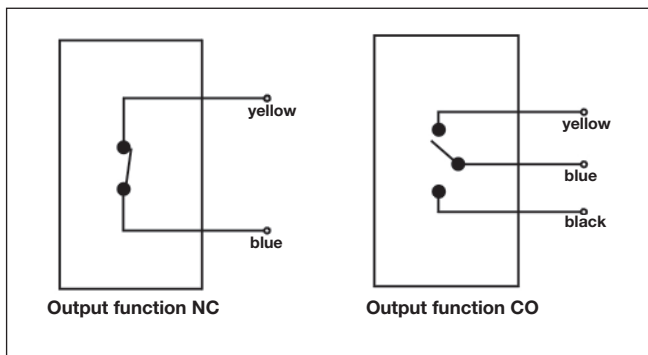
## Output Specifications

<b>Output</b> IMC3 IMS1	NC Change-over
<b>Contact ratings</b> Max Switching Voltage IMC3 IMS1 Max Switching Current IMC3 IMS1 Max Switching Power IMC3 IMS1	500 VAC 100 VAC  0.5 A 0.25 A  10 VA 5 VA

## General Specifications

<b>Operating temperature</b>	-25 to +75 °C
<b>Degree of protection</b>	IP 67
<b>Housing</b> Dimensions Material	28 x 18.5 x 7 mm Plastic
<b>CE-marking</b>	Yes

## Wiring Diagrams



## Dimensions

