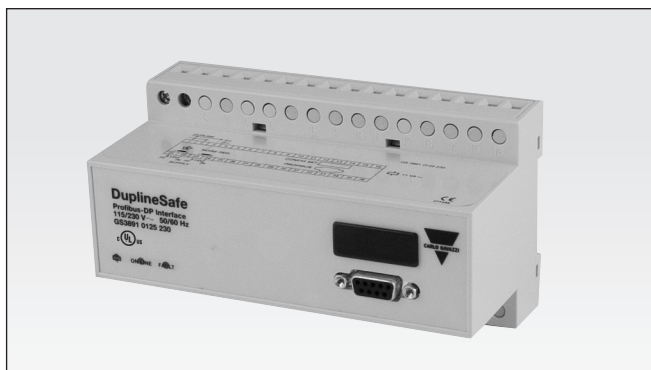


# Dupline® Profibus-DP Gateway Passive with safety mapping Type GS 3891 0125

CARLO GAVAZZI



- Passive gateway without channel generator
- PROFIBUS-DP slave according to EN 50 170
- Certified by the PNO
- Can be connected at any point in a Dupline® network
- Several gateways can be connected to the same Dupline® network
- cULus approved
- PROFIBUS-DP communication speed of up to 12 M Baud
- Read/control 128 standard inputs/outputs through PROFIBUS-DP
- 63 DuplineSafe signals can be read via the PROFIBUS-DP network
- For mounting on DIN-rail (EN 50 022)
- LED indicators for supply, Dupline® carrier and fault
- AC power supply

## Product Description

Dupline® Gateway with the function of a PROFIBUS-DP slave. This means that the Dupline® I/O's (incl. Dupline® Safe signals) can be read/controlled by PROFIBUS-DP masters (PLC's, PC interface cards, etc. from various suppliers). Several Dupline®

gateways can be connected to the same Dupline® network. The unit is certified by PNO (Profibus Nutzer Organisation) which ensures compatibility and interoperability with other PNO-certified products.

## Ordering Key

**GS 3891 0125 230**

Duplinesafe \_\_\_\_\_  
Type no. \_\_\_\_\_  
Supply \_\_\_\_\_

## Type Selection

Supply	Ordering no.
115/230 VAC	GS 3891 0125 230

## Input/Output Specifications

<b>PROFIBUS-DP</b>	RS 485
Pin assignment	9-pole female SUB-D
A	Pin 8
B	Pin 3
RTS	Pin 4
+5V	Pin 6
GND	Pin 5
Baudrate	Auto detection
Cable length	100 m @ 12 MBaud
	200 m @ 1.5 MBaud
	1200 m @ 93.75 kBaud
Up-date time (128 digital I/O)	Typ. 200 µs at 12 MBaud
	Typ. 1.6 ms at 1.5 MBaud
Dielectric voltage	≥ 4 kVAC (rms)
PROFIBUS-DP Dupline®	6590
PROFIBUS-DP ID-no.	GS38_125.gsd
GSD-file	
<b>Adjustments</b>	
2 x 10 pos. rotary switch	PROFIBUS Slave Address
	Range 02 to 99
1 x 16 pos. rotary switch	Not used
DIP-switch 1	Not used
DIP-switch 2	Not used
DIP-switch 3	Not used
DIP-switch 4	Off in normal mode
<b>Approvals</b>	
PROFIBUS operability	PNO (Profibus Nutzer Organisation)
<b>Conformity</b>	
CE	EMC Industrial Environment

## General Specifications

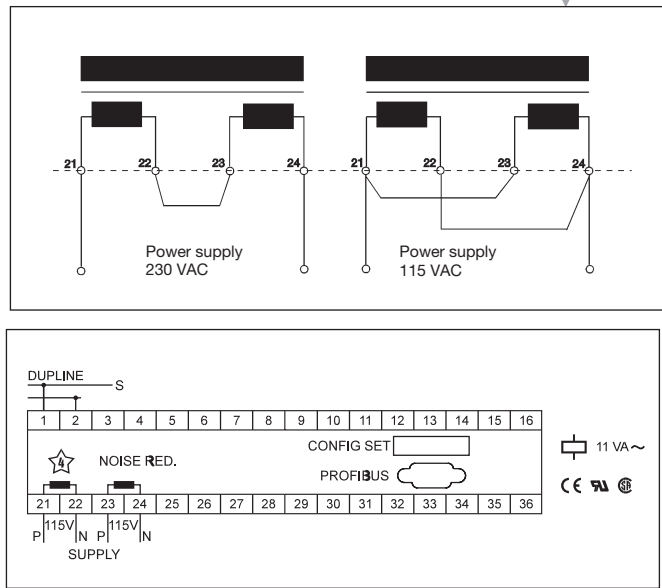
<b>Power ON delay</b>	< 2.5 s
<b>Indication for</b>	
Supply ON	LED, green
Dupline® carrier	LED, yellow
Fault	LED, red
<b>Environment</b>	
Degree of protection	IP 20
Pollution degree	3 (IEC 60664)
Operating temperature	0° to +50°C (+32° to +122°F)
Storage temperature	-20° to +85°C (-4° to +185°F)
<b>Humidity (non-condensing)</b>	20 to 80% RH
<b>Mechanical resistance</b>	
Shock	15 G (11 ms)
Vibration	2 G (6 to 55 Hz)
<b>Terminals</b>	Screwterminals
Tightening torque	0.8 Nm
<b>Dimensions</b>	144 x 77 x 70 mm
<b>Material</b>	H8-housing
<b>Weight</b>	540 g
<b>Approvals</b>	IEC/EN 61508-SIL3 EN954 cat 4 TÜV Rheinland Group cULus



## Supply Specifications

<b>Power supply</b>	Overvoltage cat. III (IEC 60664)
Rated operational voltage through term. 21, 22, 23 & 24	See wiring diagram 230 VAC ± 15% (IEC 60038) 115 VAC ± 15% (IEC 60038)
Frequency	45 to 65 Hz
Rated operational power	11 VA
Rated impulse withstand voltage	4 kV 2.5 kV
Dielectric voltage	
Supply - Dupline®	≥ 4 kVAC (rms)
Supply - RS 485	≥ 4 kVAC (rms)

## Wiring Diagrams



## Mode of Operation

The Dupline PROFIBUS-DP Gateway operates as a PROFIBUS-DP slave according to EN 50 170. This means that the 128 Dupline® I/O's can be read/ controlled by PROFIBUS-DP masters like PLC's and PC interface-cards from many different suppliers. Since the GS38910125 is a passive gateway without channel generator function, it is possible to connect several units to the same Dupline® network.

### Configuration switches

The unit is equipped with the following switches:  
 1 x 16-position rotary switch- not used in the GS38910125.  
 2 x 10-position rotary switch for selection of the **PROFIBUS-DP Slave Address** in the range 02..99. (00..01 are reserved). Each module connected to PROFIBUS-DP must have a unique slave address which enables the PROFIBUS-DP Master to access the modules individually.

4 x DIPswitches - not used in the GS38910125.

Note: Dipswitch 4 must be off in operational mode.

### Dupline® Input Data

To ease up the **Profibus Master configuration**, the **GS38\_125.gsd** file is to be used. This file describes to the Master which I/O data the gateway supports. All I/O data are selectable through so-called modules, each described with its particular function. Digital Input, Digital output, Safety input etc. Through this, the individual configuration of the Gateway is quite simplified, as the user only has to select which I/O modules to use. The supported modules may be selected in any order and any combination.

The GS38910125 passive gateway supports Digital input module, and Digital output module, corresponding to the 128 channels of input and output data. Furthermore, the GS38910125 supports reading of Dupline - safe signals. This requires 2 bits of information per safety-signal. Thus, the information must be read like this:  
 00: Safe valid - Closed

10: Unsafe Valid - Open  
 \* 11: Unsafe - Invalid condition

\* 11 - is a situation where the system is in "Unsafe" mode, but either loses sync signal, bus signal disconnect or short-circuit, etc.

All modules consist of 16 bytes of data, and the tables below describe the content and the relations to the Dupline data.

### Safe Principles:

Each safety module is using 2 channel addresses to send its signal. The possible selections are in the range A3/A4... P7/P8. Which channel address to be monitored by the safety module, must be defined. (Please note that the channel address A1/A2 is not allowed in the system. A1 is always used for safe synchronization between all safe modules).

It has the state of "0" when A1 is OK, and the state of "1" when A1 is faulty. A2 is surveillance of the Dupline Bus. By the state "0", the Dupline Bus is OK and by the state "1" the Dupline

Bus is faulty.

If all configured safety modules send a valid "safe-state" signal, every relay contact on the output-modules will be closed. In any other case - Non-safe signals received from one or several safety modules or failure in the Dupline bus, the relays will stay open and keep the system in "safe-state".

When starting up a safe-system, all contacts remain open until a valid "safe-state" signal is received from alle safety modules.

If the Dupline® signal is missing or faulty, the gateway will set the input status of all channels to OFF.

### Reaction time

The reaction time for the total Dupline® safety-loop depends of the number of Dupline® channels, and the responsetime from the gateway = max. 136 mSec. The response time, of the channels, can be calculated as:

*Reaction time on relay*



## Mode of Operation (cont.)

release (worst-case): 2 x Number of Dupline® channels + 40 [ms]

Note: Reaction time is for the total Dupline® safety-loop; from a safety input goes to non-safe state until the output relay is released.

Reaction time on relay activate (worst-case): 4 x Number of Dupline® channels + 80 [ms].

Note: Reaction time is for the total Dupline® safety-loop; from a safety input goes to safe state until the output relay is activated.

### Byte 0.. 0Fh Safety input module

Byte address	Dupline Channel	Safe Bits
00	x	7.6
	A3-4	5.4
	A5-6	3.2
	A7-8	1.0
01	B1-2	
	B3-4	
	B5-6	
	B7-8	
	-	
	-	
0F	P1-2	7.6
	P3-4	5.4
	P5-6	3.2
	P7-8	1.0

Each safe input consists of 2 Safe Bits. The 2 bits are to be interpreted like this:

- 00: Safe valid - Closed
- 10: Unsafe Valid - Open
- 11: Unsafe - Invalid condition

The 2 safe bits can be read as follows:

Example:

Safe bits: 7.6.5.4.3.2.1.0

Bit example: 0 0 1 1 0 1 1 0

Read "Byte address" "01" and Dupline channel B7-8

Now read Safe bits on place 1.0 to bit example 1 0

This means that the Dupline channel is : SAFE OFF

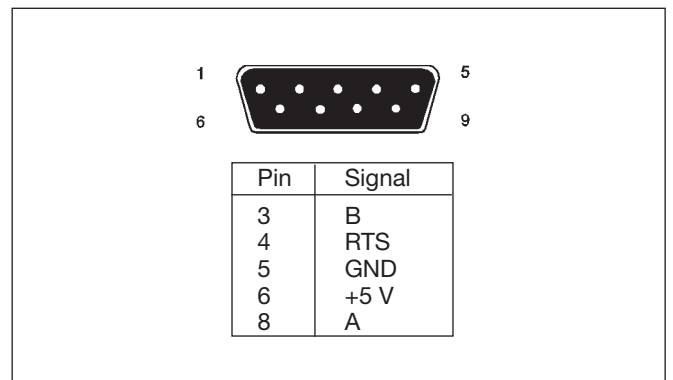
### Byte 0.. 0Fh Digital input module

Byte address	Dupline Group	Bit	Channel Number
0	A	7	A1
0	A	6	A2
0	A	5	A3
0	-	-	-
0	A	0	A8
1	B	7	B1
2	C	6	C2
-	-	-	-
E	O	1	O7
F	P	0	P8

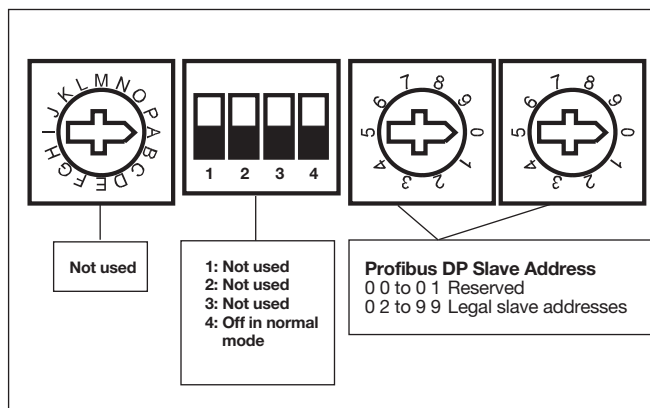
### Byte 0.. 0Fh Digital output module

Byte address	Dupline Group	Bit	Channel Number
0	A	7	A1
0	A	6	A2
0	A	5	A3
0	-	-	-
0	A	0	A8
1	B	7	B1
2	C	6	C2
-	-	-	-
E	O	1	O7
F	P	0	P8

## Pin Assignment



## Switch Settings



## Dimensions (mm)

