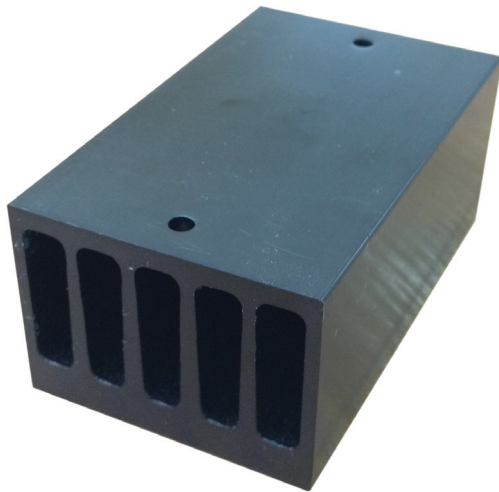


RHS38AD, RHS38ARFD



Accessories: Heatsinks



Main features

- 2.85°C/W thermal resistance
- Suitable for mounting of 1-phase SSRs
- Panel or thru wall mounting (only for RHS38ARFD)
- Dimensions W x H x D: 46 x 76 x 33 mm
- RoHS compliant

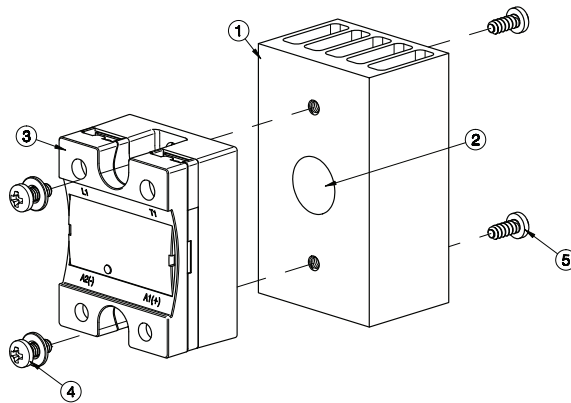
Description

Heatsink assembly suitable for mounting of 1x 1-phase solid state relay (SSR).

Suffix H53 added to SSR part no. refers to factory mounted heatsink. Conditions apply. Please ask your sales representative for further details.

Structure

RHS38AD



Element	Component	Qty	RHS38AD
1	RHS38AD heatsink assembly	1	Provided
2	Thermal Compound or Pad	1	Not provided
3	1-phase SSR 45x59mm	1	Not provided
4	M4x15mm + Washer	2	Not provided
5	Self Tapping Mounting Screws ST3.9	2	Not provided

Note:

* 68mm for RK..C, 77mm for RK..P (including plug).

Dimensions including the SSR.

RHS38ARFD

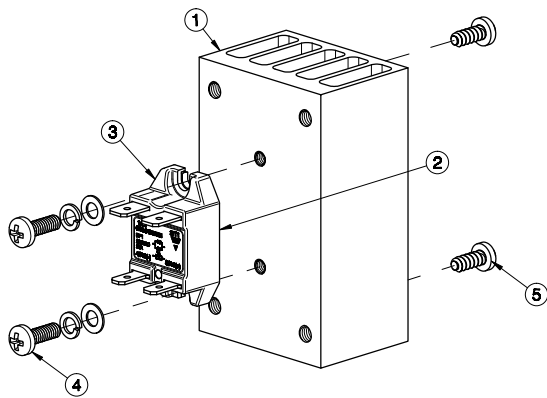


Fig. 1 Panel mounting

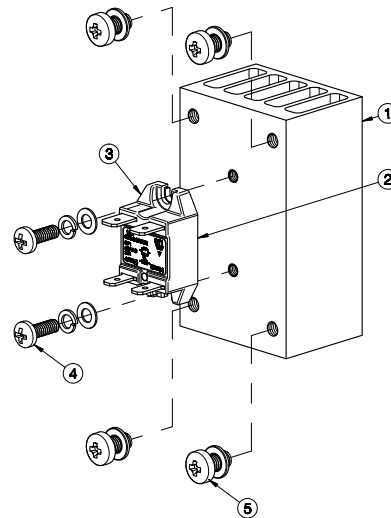


Fig. 2 Thru wall mounting

Element	Component	Qty	RHS38ARFD
1	RHS38ARFD heatsink assembly	1	Provided
2	Phase change thermal pad	1	Pre-attached to RF1
3	1-phase SSR 21x36mm	1	Not provided
4	M4x15mm + Washer	2	Not provided
5	Self Tapping Mounting Screws ST3.9 for panel mounting	2	Not provided
5	M5 mounting Screws for thru wall mounting	4	Not provided

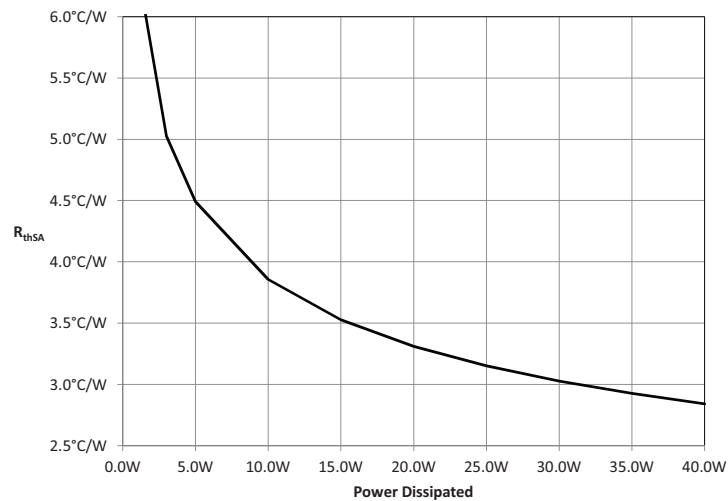
Dimensions including the SSR.

Features

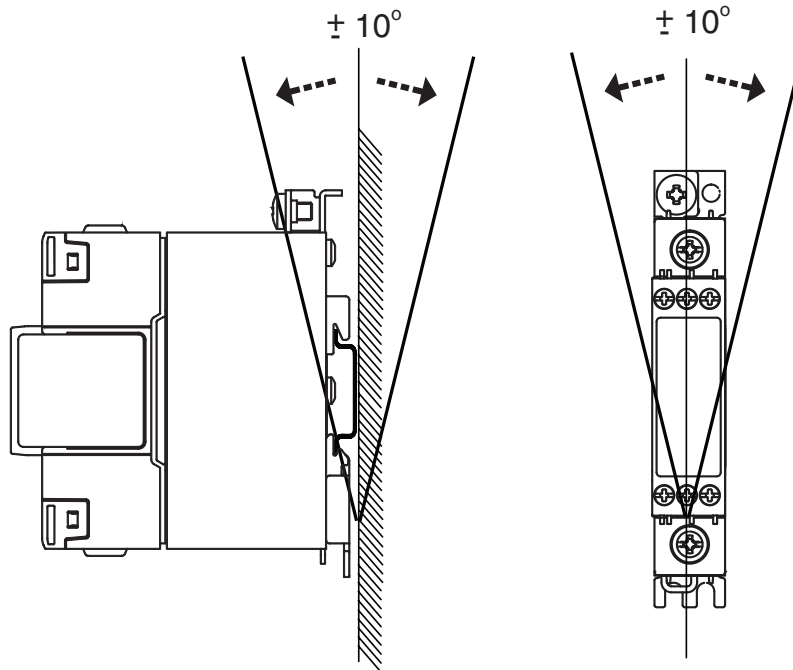
General

SSR max. mounting torque	1.5Nm (13.3 lb-in)
Weight (excl. SSR)	approx. 160g
Material	Aluminium
Finish	Black anodization
Fan mounting	Not possible

Thermal resistance curve



▶ Mounting position



▶ Installation

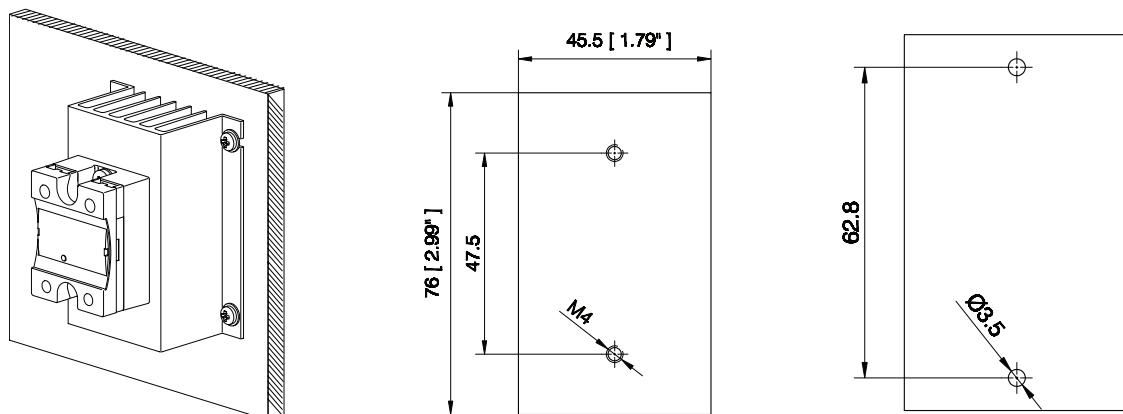


Fig. 3 RHS38AD for panel mounting

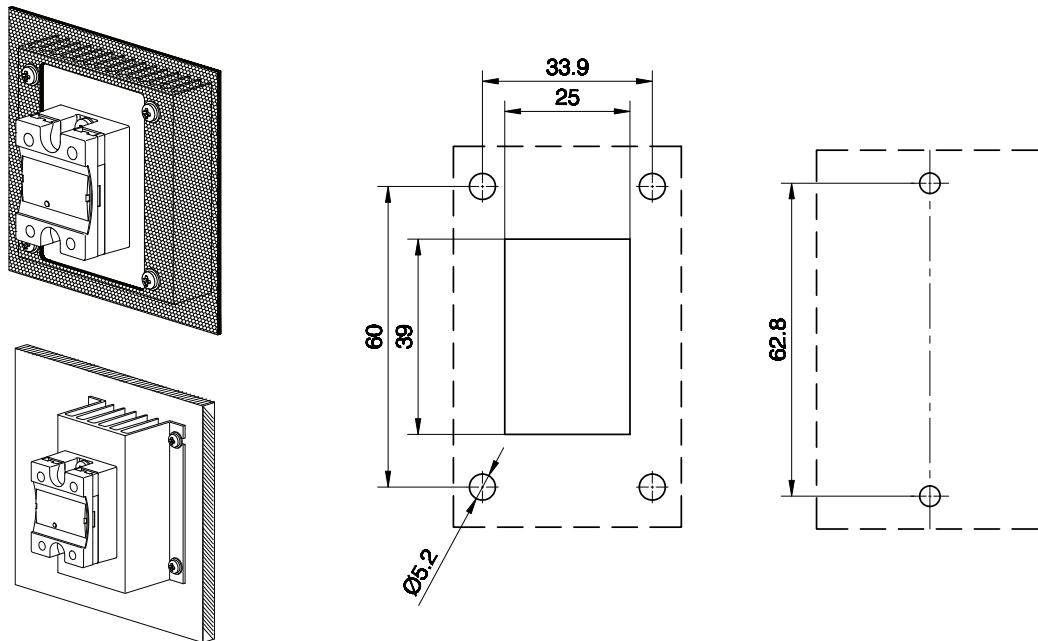


Fig. 4 RHS38ARFD for panel or thru wall mounting

Illustrations are for example only.

Recommended maximum current rating (per SSR)

1. The below recommendations are only valid when the assembly (SSR + heatsink) is mounted as shown in the mounting instructions unless otherwise indicated.
2. The indicated ratings are applicable to one SSR, one pole. Please refer to the online selector tool at www.productselection.net for different load currents, surrounding temperatures or multiple units on one heatsink.
3. These recommendations are applicable only with the indicated Carlo Gavazzi thermal interface material between SSR and heatsink. In case a different thermal interface is utilised these recommendations may no longer be valid.

Pre-attached phase change paste


1x 2-pole SSR	Surrounding temperature							
	°C °F	20 68	30 86	40 104	50 122	60 140	70 158	80 176
RK 2.. (per pole)	50	20.5	18.5	16	13.5	11.5	9	6.5
	51	22	19.5	17	14.5	12	9.5	7
	75	24	21	18.5	15.5	12.5	10	7

Pre-attached phase change pad, RFHT

1x 1-phase SSR	Surrounding temperature							
	°C °F	20 68	30 86	40 104	50 122	60 140	70 158	80 176
RF1	25	21.5	19	16	13.5	10.5	7	3.5

 Thermal compound, HTS02S

1x 1-phase SSR	Surrounding temperature							
	°C °F	20 68	30 86	40 104	50 122	60 140	70 158	80 176
RD..	1	1	1	1	1	1	1	-
	5	5	5	5	5	5	4.5	-
RA..L RA..T	10	10	10	10	10	9	5.5	-
	25	18	17	15	12.5	9	5.5	-
RA..	25	22.5	21	18.5	15.5	12	9	-
	50	28	26	22	18.5	14.5	11	-
	90	33	31	26.5	21.5	17	12.5	-
	110	36	33.5	28.5	23.5	18.5	13.5	-
RA60..	50	28	26	22.5	19	15	11	-
RA2A.. (per pole)	25	15.5	14	12	9.5	7	4.5	-
	40	17	15.5	13	10	7.5	5	-
	25M	15.5	14	12	9.5	7	4.5	-
	40M	17	15.5	13	10	7.5	5	-
RS1A..	10	10	10	8.5	7	5.5	4	-
	25	25	23.5	19.5	16	12	8	-
	40	27.5	25.5	21	17	12.5	8.5	-
RS1A..E	25	14.5	14	12	10	8.5	6.5	-
	40	16.5	15.5	13	11.5	9	6	-
RM1A.. RM1B.. RM1C..	25	25	23.5	19.5	16	12	8	-
	50	27.5	25.5	21	17	12.5	8.5	-
	75	32.5	30	25	20	15	10	-
	100	35.5	32.5	27	21.5	16	11	-
RM1A60.. RM1B60.. RM1C60.. RM1E60..	50	28	26	22	17.5	13.5	9	-
RAM1A.. RAM1B.. RM1E..	25	25	23.5	19.5	16	12	8	4.5
	50	27.5	25.5	21	17	12.5	8.5	4.5
	75	32.5	30	25	20	15	10	5.5
	100	32.5	30	25	20	15	10	5.5
	125	35.5	32.5	27	21.5	16	11	6
RM1D060	10	10	10	10	10	10	10	7
	20	20	20	20	20	18.5	13.5	7
	50	50	48	43	37	30	22	11
	100	75	71.5	63	54	44	32	16
RM1D200	20	19.5	18.5	17	15.5	13.5	11.5	9
	50	34	33	30	27	23.5	20	15.5
RM1D500	10	10	10	10	10	9.5	8	6.5

 Thermal pad, KK071CUT

1x 1-phase SSR	Surrounding temperature							
	°C °F	20 68	30 86	40 104	50 122	60 140	70 158	80 176
RD..	1	1	1	1	1	1	1	-
	5	5	5	5	5	5	4.5	-
RA..L RA..T	10	10	10	10	10	9	5.5	-
	25	17	16	14	12	9.5	5.5	-
RA..	25	21.5	20.5	17.5	14.5	11.5	9	-
	50	26.5	24.5	21	17.5	14	10.5	-
	90	31	28.5	24.5	20.5	16	12	-
	110	33.5	31	26.5	22	17.5	12.5	-
RA60..	50	26.5	25	21.5	18	14.5	10.5	-
RA2A.. (per pole)	25	15.5	14.5	12	9.5	7	5	-
	40	17.5	16	13	10.5	7.5	5	-
	25M	15.5	14.5	12	9.5	7	5	-
	40M	17	16	13	10.5	7.5	5	-
RS1A..	10	10	9.5	8	7	5.5	3.5	-
	25	23.5	21.5	18	14.5	11	7.5	-
	40	25.5	23.5	19.5	15.5	12	8	-
RS1A..E	25	13.5	13	11	9.5	8	6.5	-
	40	15	14	12	10.5	8.5	6	-
RM1A.. RM1B.. RM1C..	25	23.5	21.5	18	14.5	11	7.5	-
	50	25.5	23.5	19.5	15.5	12	8	-
	75	30	27.5	23	18.5	14	9.5	-
	100	32	29.5	24.5	19.5	15	10	-
RM1A60.. RM1B60.. RM1C60.. RM1E60..	50	26	24	20.5	16.5	12.5	8.5	-
RAM1A.. RAM1B.. RM1E..	25	23.5	21.5	18	14.5	11	7.5	4.5
	50	25.5	23.5	19.5	15.5	12	8	4.5
	75	30	27.5	23	18.5	14	9.5	5
	100	30	27.5	23	18.5	14	9.5	5
	125	32	29.5	24.5	19.5	15	10	5.5
RM1D060	10	10	10	10	10	10	10	6.5
	20	20	20	20	20	18	13	6.5
	50	49	46.5	41.5	35.5	29	21.5	11
	100	72	68.5	60.5	52	42.5	31	16
RM1D200	20	18.5	18	16.5	15	13	11.5	9
	50	32.5	31.5	29	26	23	20	15.5
RM1D500	10	10	10	10	10	9	7.5	6.5



References

CARLO GAVAZZI compatible components

Purpose	Component name/code	Notes
Thermal pads	KK071CUT	Packing qty. 50 pcs.
Phase change thermal pad	RFHT	Packing qty. 10 pcs.
Thermal compound	HTS02S	2.38 ml sachet of silicon based thermal compound
Screw Kits	SRWKITM4X15MM	Packing qty. 20 pcs.

Further reading

Information	Where to find it
Online heatsink selector tool	https://gavazziautomation.com/nsc/HQ/EN/solid_state_relays
Accessories	https://gavazziautomation.com/images/PIM/DATASHEET/ENG/SSR_Accessories.pdf

Order code



RHS38A

Enter the code entering the corresponding option instead of

Code	Option	Description
R	-	
H	-	
S	-	
3	-	
8	-	
A	-	
<input type="checkbox"/>	D	Suitable only for SSRs with a mounting pitch of 47.5mm such as the RA, RK, RD, RS, RM and RAM series
	RFD	Suitable only for SSRs with a mounting pitch of 30mm such as the RF1 series



COPYRIGHT ©2020
Content subject to change. Download the PDF: <https://gavazziautomation.com>