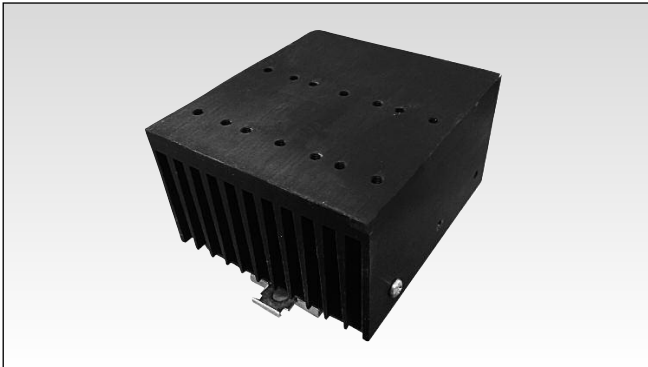


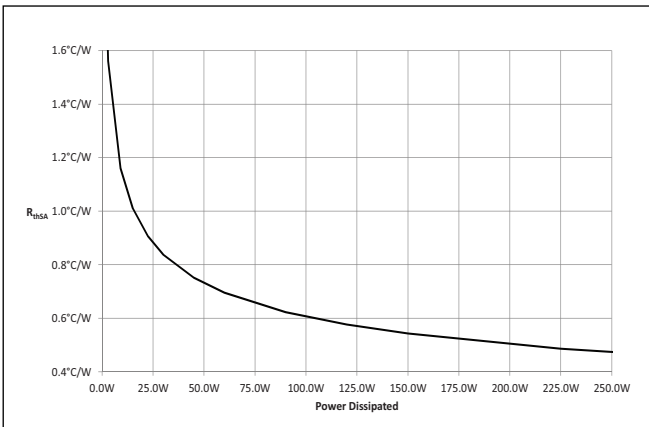
Solid State Relays Accessories, Heatsinks Type RHS11267DIND

CARLO GAVAZZI



- 0.54 °C/W thermal resistance
- Suitable for mounting of 1-phase or 3-phase SSRs
- Din rail mounting
- Dimensions W x H x D: 119 x 125 x 94 mm
- RoHS compliant

Thermal Resistance Curve



Ordering Key

RHS11267DIND

Product Description

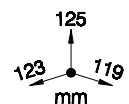
Heatsink assembly suitable for mounting of maximum 3x 1-phase solid state relays (SSRs) or 1x 3-phase SSR.

Suffix H78D added to SSR part no. refers to factory mounted heatsink. Conditions apply. Please ask your Sales representative for further details.

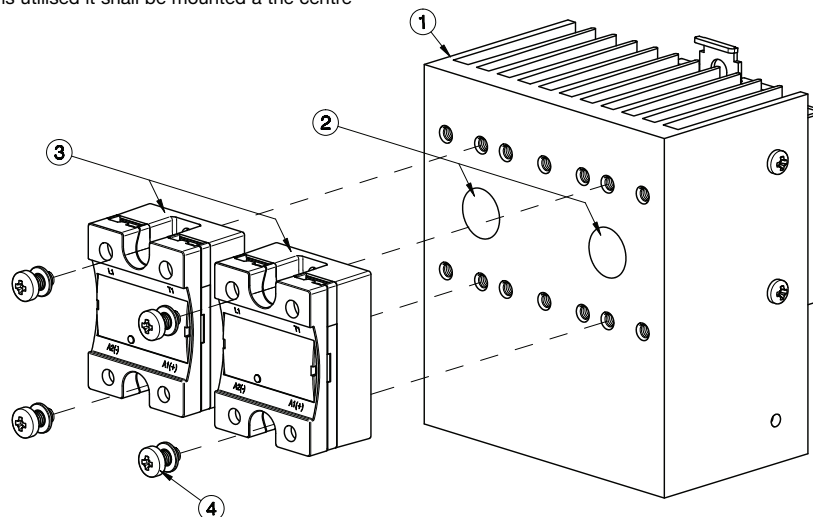
Heatsink Assembly

Components for assembly		Qty	RHS11267DIND
1	RHS11267DIND Heatsink Assembly	1	Provided
2	Thermal Compound or Pad	1	Not Provided
3	1-phase SSR 45x59mm (max.)	2	Not Provided
4	M5x10mm PZ2 + Washer (per SSR)	2	Not Provided

Dimensions including the SSR



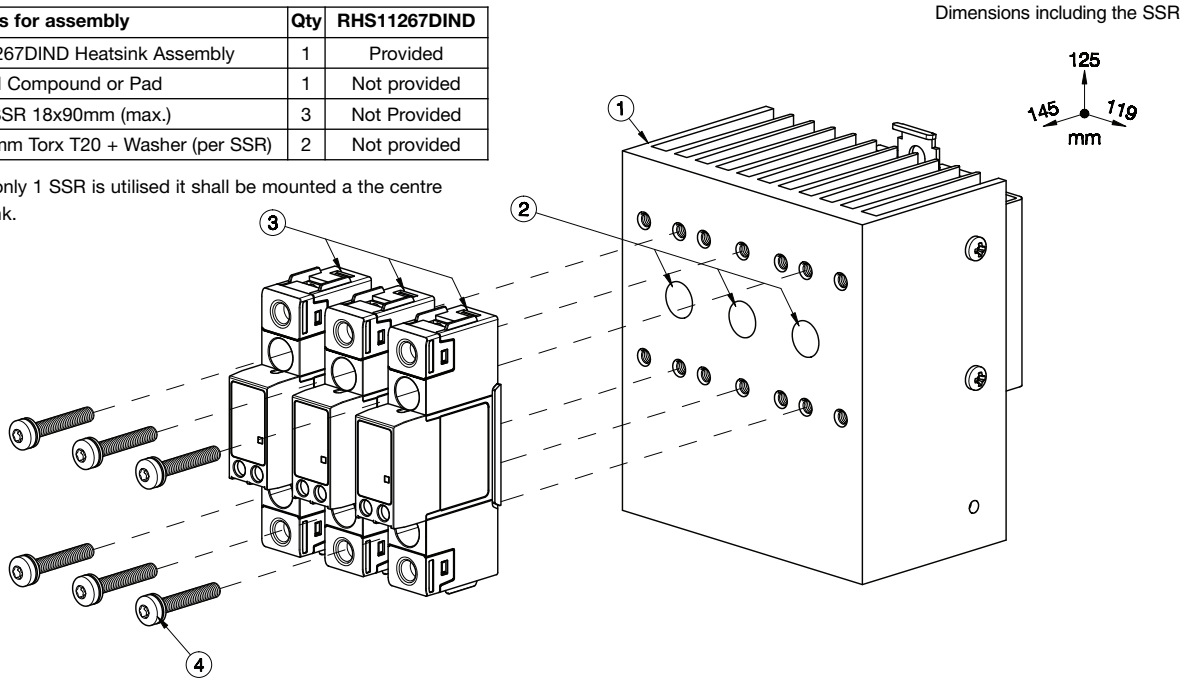
Note: When only 1 SSR is utilised it shall be mounted at the centre of the heatsink.



Heatsink Assembly

Components for assembly		Qty	RHS11267DIND
1	RHS11267DIND Heatsink Assembly	1	Provided
2	Thermal Compound or Pad	1	Not provided
3	RGS1 SSR 18x90mm (max.)	3	Not Provided
4	M5x30mm Torx T20 + Washer (per SSR)	2	Not provided

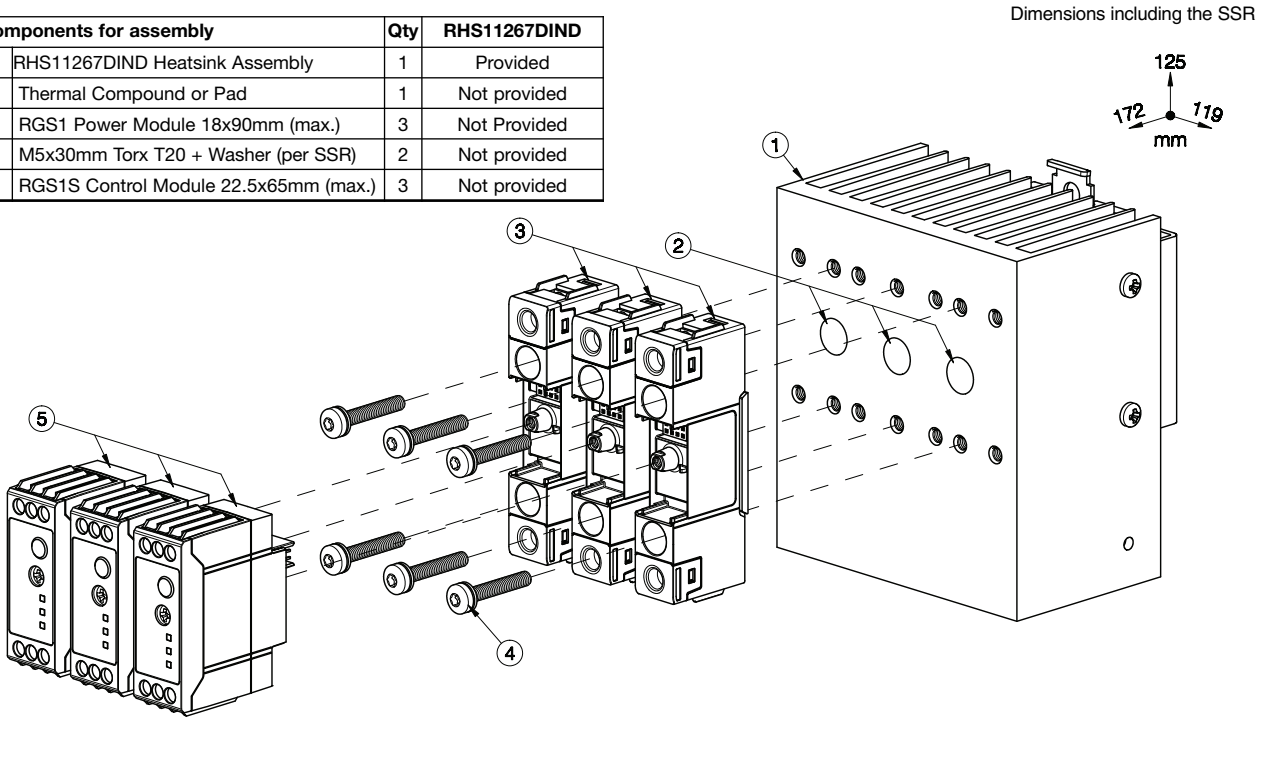
Note: When only 1 SSR is utilised it shall be mounted at the centre of the heatsink.



Dimensions including the SSR

125
145 mm 119

Components for assembly		Qty	RHS11267DIND
1	RHS11267DIND Heatsink Assembly	1	Provided
2	Thermal Compound or Pad	1	Not provided
3	RGS1 Power Module 18x90mm (max.)	3	Not Provided
4	M5x30mm Torx T20 + Washer (per SSR)	2	Not provided
5	RGS1S Control Module 22.5x65mm (max.)	3	Not provided



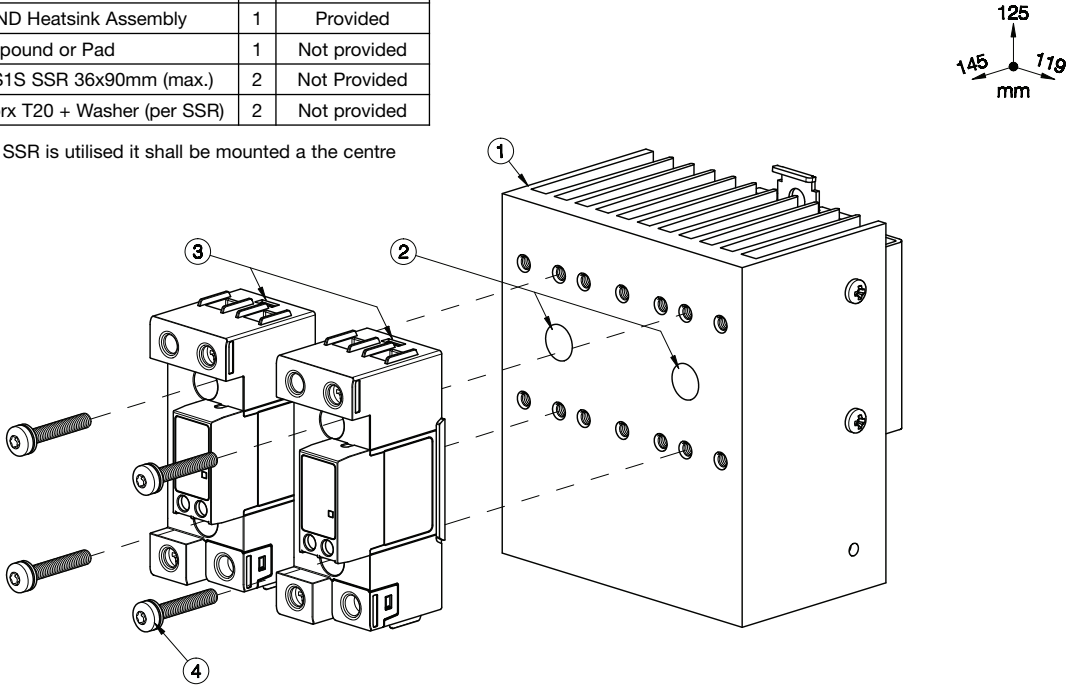
Dimensions including the SSR

125
172 mm 119

Heatsink Assembly

Components for assembly		Qty	RHS11267DIND
1	RHS11267DIND Heatsink Assembly	1	Provided
2	Thermal Compound or Pad	1	Not provided
3	RGS1 or RGS1S SSR 36x90mm (max.)	2	Not Provided
4	M5x30mm Torx T20 + Washer (per SSR)	2	Not provided

Note: When only 1 SSR is utilised it shall be mounted a the centre of the heatsink.

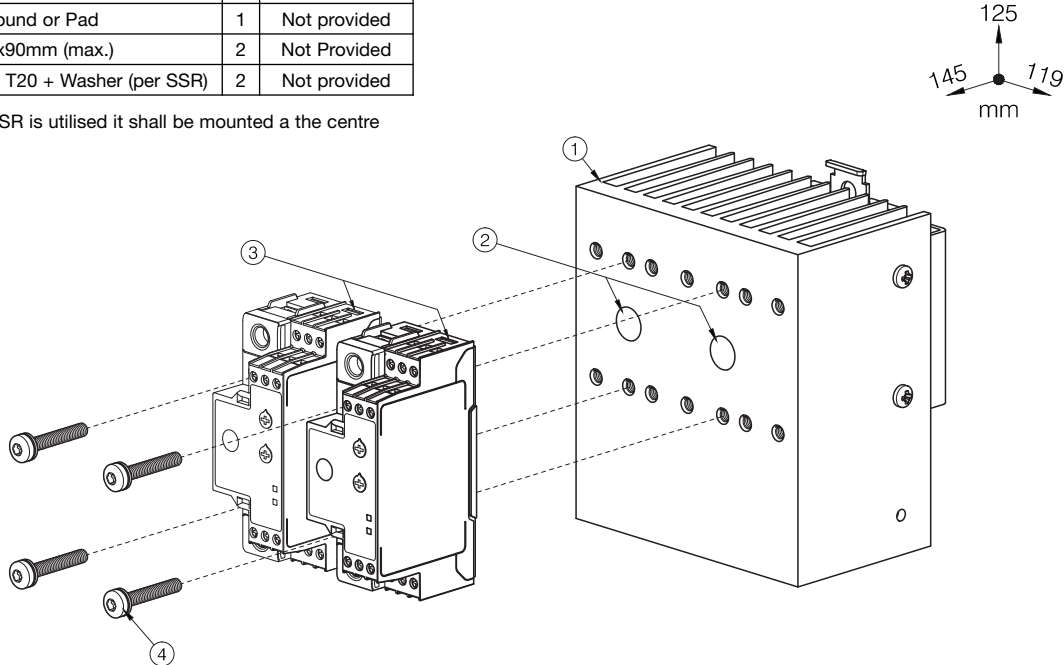


Dimensions including the SSR

125
145 119
mm

Components for assembly		Qty	RHS11267DIND
1	RHS11267DIND Heatsink Assembly	1	Provided
2	Thermal Compound or Pad	1	Not provided
3	RGS1P SSR 35x90mm (max.)	2	Not Provided
4	M5x30mm Torx T20 + Washer (per SSR)	2	Not provided

Note: When only 1 SSR is utilised it shall be mounted a the centre of the heatsink.

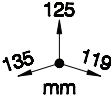


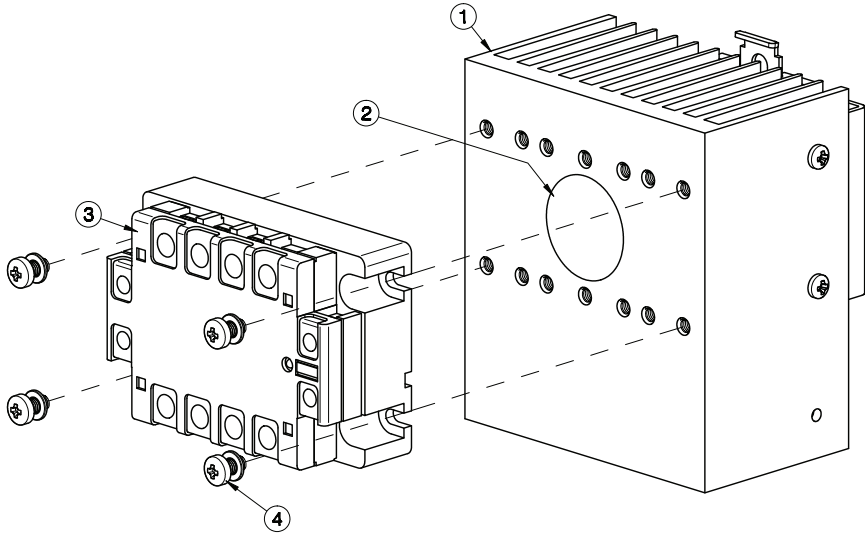
Dimensions including the SSR

125
145 119
mm

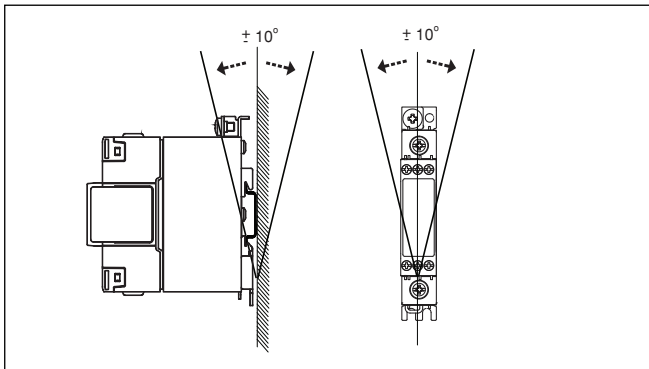
Components for assembly		Qty	RHS11267DIND
1	RHS11267DIND Heatsink Assembly	1	Provided
2	Thermal Compound or Pad	1	Not provided
3	3-phase SSR 104 x 74mm	1	Not Provided
4	M5x10mm PZ2 + Washer (per SSR)	4	Not provided

Dimensions including the SSR

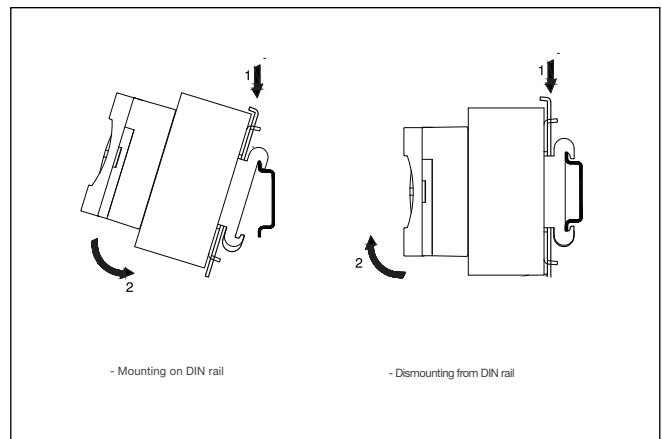




Mounting Position



Installation



General Specifications

SSR max. mounting torque	1.5Nm (13.3 lb-in)
Weight (excl. SSR)	approx. 1200g
Material	Aluminium
Finish	Black anodization
Fan mounting	Not possible

Illustrations are for example only

Recommended Maximum Current Rating (per SSR)

Notes:

- The below recommendations are only valid when the assembly (SSR + heatsink) is mounted as shown in the mounting instructions unless otherwise indicated.
- The indicated ratings are applicable to one SSR, one pole. Please refer to the online selector tool at www.productselection.net for different load currents, surrounding temperatures or multiple units on one heatsink.
- These recommendations are applicable only with the indicated Carlo Gavazzi thermal interface material between SSR and heatsink. In case a different thermal interface is utilised these recommendation may no longer be valid.

Thermal interface = Thermal compound, **HTS02S**

Thermal interface = Thermal pad

KK071CUT for 1-phase SSRs, **RGHT** for RG SSRs

1x 1-phase SSR	Surrounding temperature							
	°C °F	20 68	30 86	40 104	50 122	60 140	70 158	80 176
RD..	1	1	1	1	1	1	1	n/a
	5	5	5	5	5	5	5	n/a
RA..L RA..T	10	10	10	10	10	10	10	n/a
	25	25	25	25	22	18.5	15	n/a
RA..	25	25	25	25	25	20.5	16	n/a
	50	50	48	42	35.5	28.5	21.5	n/a
	90	71.5	67.5	58	49	39.5	29.5	n/a
	110	83	77.5	66.5	55.5	44.5	33	n/a
RA60..	50	50	47	41.5	35	28.5	22	n/a
RA2A..*	25	25	25	25	25	23	17.5	n/a
	40	40	38.5	34.5	30	26	19	n/a
	25M	25	25	25	25	23	17.5	n/a
	40M	40	39.5	35	31	26.5	19	n/a
RS1A..	10	10	10	10	10	8	6	n/a
	25	25	25	25	25	25	24.5	n/a
	40	40	40	40	40	38.5	26.5	n/a
RS1A..E	25	25	24	21	18	15.5	12.5	n/a
	40	31.5	29.5	26	22.5	18.5	15.5	n/a
RM1A.. RM1B.. RM1C..	25	25	25	25	25	25	24.5	n/a
	50	50	50	50	48.5	38.5	26.5	n/a
	75	75	75	74	62.5	47.5	32.5	n/a
	100	100	97	85.5	68.5	51.5	35	n/a
RM1A60.. RM1B60.. RM1C60.. RM1E60..	50	50	50	48	42.5	36.5	27	n/a
RAM1A.. RAM1B.. RM1E..	25	25	25	25	25	25	24.5	14
	50	50	50	50	48.5	38.5	26.5	15
	75	87.5	83	74	62.5	47.5	32.5	18
	100	87.5	83	74	62.5	47.5	32.5	18
	125	100	97	85.5	68.5	51.5	35	19
RGS1..E RGS1P..E**	25	25	25	25	25	25	25	25
	50	50	50	50	50	47.5	39.5	32
	51	50	50	50	50	46	39	31.5
	75	75	75	70	61.5	53	44	35
	90 91 92	88	84	75	66	57	47.5	38
RGS1..U	20	20	20	20	20	20	20	20
	30	30	30	30	30	30	30	30
RGS1S..E	20	23	23	23	23	23	23	n/a
	30	30	30	30	30	30	30	n/a
	31	30	30	30	30	30	30	n/a
	92	88	84	75	66	57	47.5	n/a
RGS1S..U	61	65	65	65	65	57	47.5	n/a
RGS1D..	15	15	15	15	15	15	15	15
	25	25	25	25	25	25	22	18

* per pole

** max. 70 °C / 158 °F for RGS1P..E

1x 1-phase SSR	Surrounding temperature							
	°C °F	20 68	30 86	40 104	50 122	60 140	70 158	80 176
RD..	1	1	1	1	1	1	1	n/a
	5	5	5	5	5	5	5	n/a
RA..L RA..T	10	10	10	10	10	10	10	n/a
	25	25	24.5	22	19	16.5	13	n/a
RA..	25	25	25	25	22.5	18.5	14.5	n/a
	50	44.5	41.5	36	30.5	24.5	19	n/a
	90	57	53.5	46	39	31.5	24	n/a
	110	64.5	60	52	43.5	35	26	n/a
RA60..	50	43.5	41	36	30.5	25	19	n/a
RA2A..*	25	25	25	25	24	21	17.5	n/a
	40	35.5	34	30	26.5	23	19	n/a
	25M	25	25	25	24	20.5	17.5	n/a
	40M	36.5	34.5	31	27	23	19.5	n/a
RS1A..	10	10	10	10	9.5	7.5	5.5	n/a
	25	25	25	25	25	25	19	n/a
	40	40	40	40	37.5	29	20.5	n/a
RS1A..E	25	22.5	21	18.5	16	13.5	11	n/a
	40	26.5	25	22	19	16	13	n/a
RM1A.. RM1B.. RM1C..	25	25	25	25	25	25	19	n/a
	50	50	50	45.5	37.5	29	20.5	n/a
	75	67	62.5	53	43	33.5	23	n/a
	100	74.5	69	58	47	36	25	n/a
RM1A60.. RM1B60.. RM1C60.. RM1E60..	50	48.5	46.5	41.5	37	29.5	21	n/a
RAM1A.. RAM1B.. RM1E..	25	25	25	25	25	25	19	11
	50	50	50	45.5	37.5	29	20.5	11.5
	75	67	62.5	53	43	33.5	23	13
	100	67	62.5	53	43	33.5	23	13
	125	74.5	69	58	47	36	25	14
RGS1..E RGS1P..E**	25	25	25	25	25	25	25	21
	50	50	50	45	39.5	34.5	29	23
	51	50	48.5	44	39	34	29	23.5
	75	60	57	51	45	38.5	32.5	26
	90 91 92	63.5	60.5	54	47.5	41	34.5	27.5
RGS1..U	20	20	20	20	20	20	20	20
	30	30	30	30	30	30	29	23
RGS1S..E	20	23	23	23	23	23	23	n/a
	30	30	30	30	30	30	29	n/a
	31	30	30	30	30	30	30	n/a
	92	63.5	60.5	54	47.5	41	34.5	n/a
RGS1S..U	61	63.5	60.5	54	47.5	41	34.5	n/a
RGS1D..	15	15	15	15	15	15	15	12.5
	25	25	25	22.5	20	17.5	15	12.5

Recommended Maximum Current Rating (per SSR)

Thermal interface = Thermal compound, HTS02S
Ratings per pole

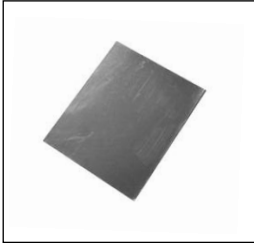
Thermal interface = Thermal pad, RZHT

1x 3-phase SSR	Surrounding temperature							
	°C	20	30	40	50	60	70	80
	°F	68	86	104	122	140	158	176
RZ3A..	25	25	25	23.5	20	16	10	4.5
	55	39.5	37.5	33.5	28.5	21	14	7.5
	75	52.5	50	42.5	34.5	26.5	19	11.5

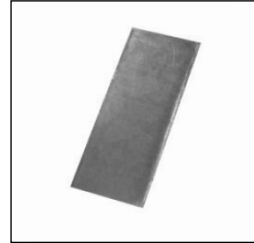
1x 3-phase SSR	Surrounding temperature							
	°C	20	30	40	50	60	70	80
	°F	68	86	104	122	140	158	176
RZ3A..	25	25	23.5	20.5	17.5	14.5	10.5	4.5
	55	34	32.5	29	25.5	21.5	14.5	8
	75	47.5	45	40.5	35.5	27	19.5	12

Accessories

Thermal Pads

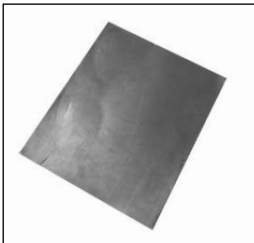


- Ordering key: **KK071CUT**
- Packing qty. 50 pcs.
- Suitable for 1-phase SSRs
- Dimensions: 35 x 43mm



- Ordering key: **RGHT**
- Packing qty. 10 pcs.
- Suitable for RG SSRs
- Dimensions: 14 x 35mm

Thermal Pads



- Ordering key: **RZHT**
- Packing qty. 10 pcs.
- Suitable for 3-phase SSR
- Dimensions: 70 x 77mm

Thermal Compound



- Ordering key: **HTS02S**
- 2ml syringe of silicone based thermal compound

Screw Kits



- Ordering key: **SRWKITM5X10MM**
- M5x10mm PZ2 screws + washers
- Packing qty. 20pcs.
- Suitable for 1-phase SSRs



- Ordering key: **SRWKITM5X30MM**
- M5x30mm Torx T20 screws + washers
- Packing qty. 20pcs.
- Suitable for RG SSRs